

White Knight
domestic appliances

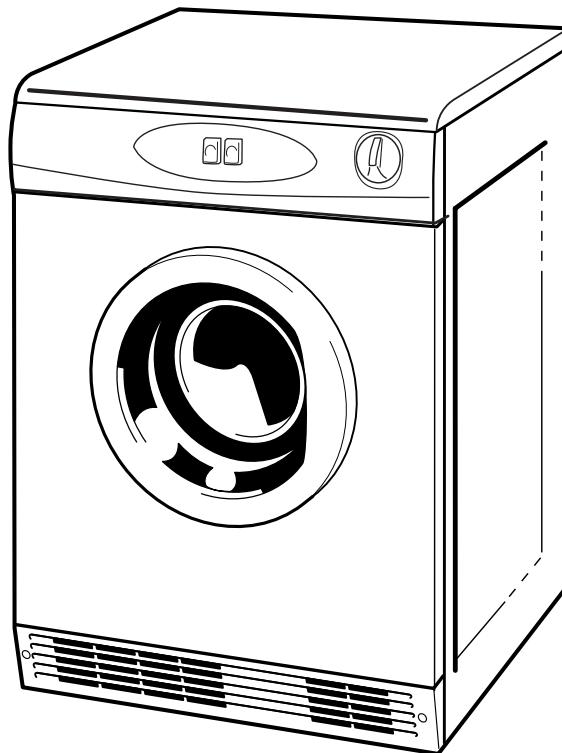


SERVICE MANUAL

Air Vented Tumble Dryer - UK

White Knight - 44AW

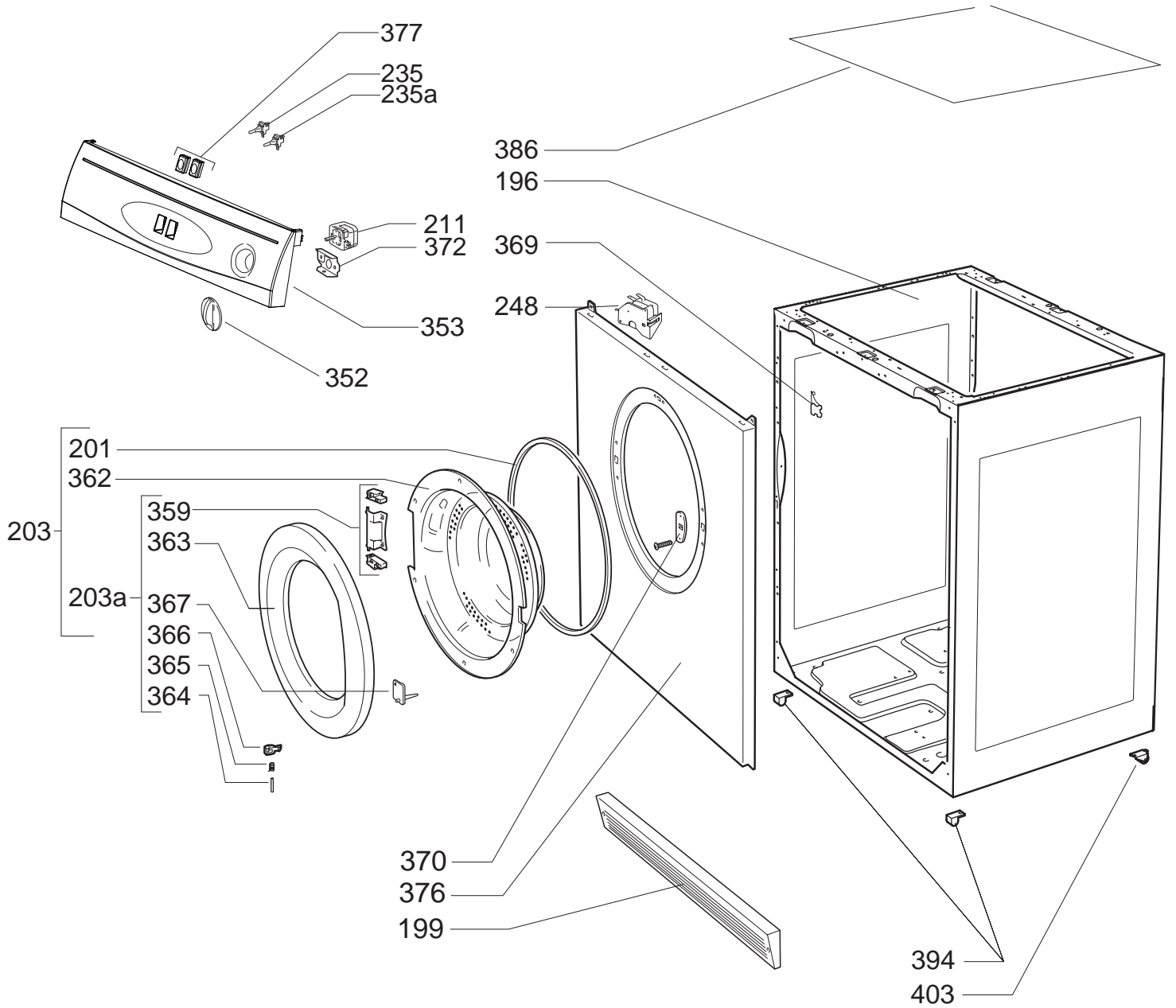
0312 44A 15000



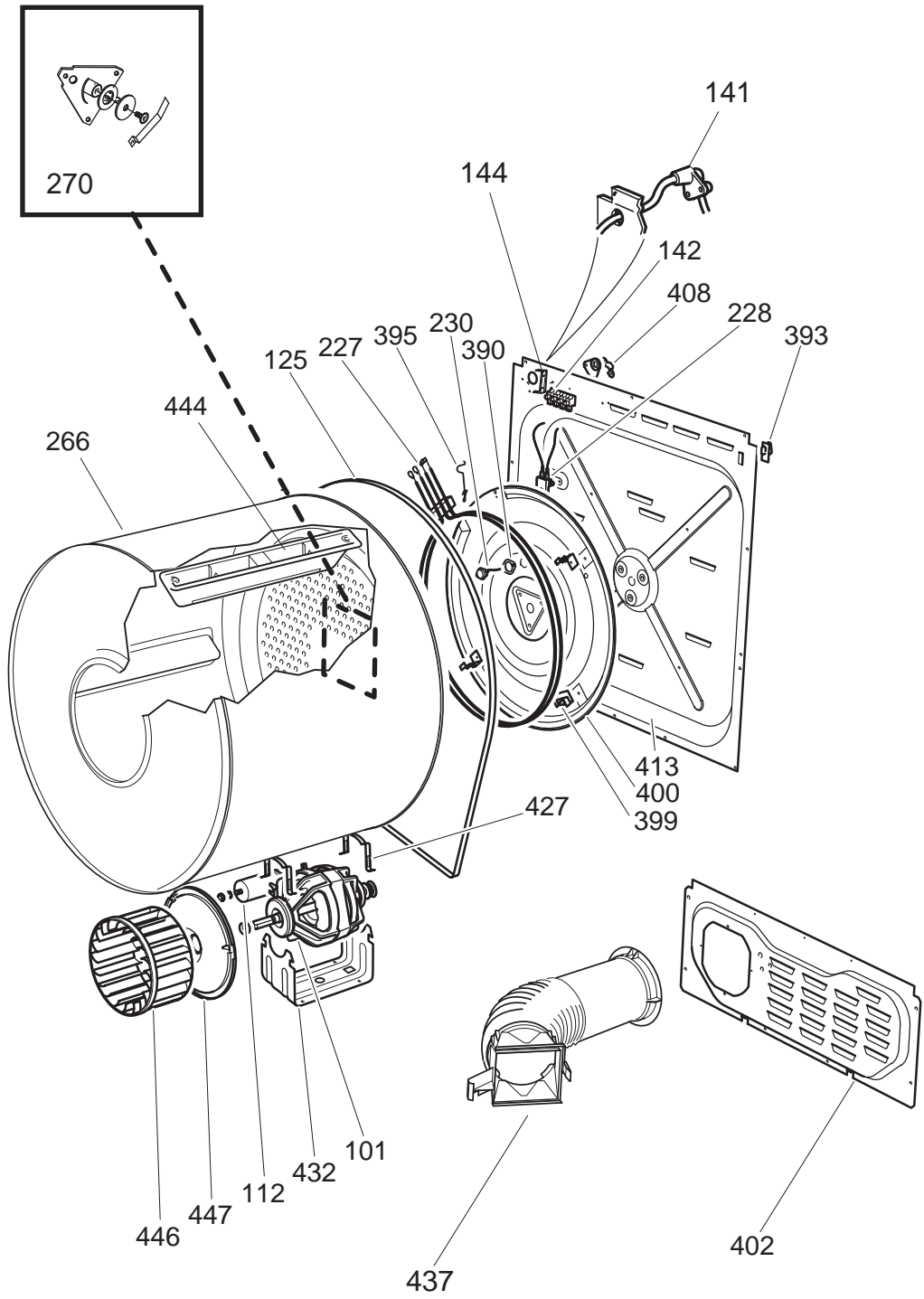
Wiring Diagram
Exploded Views
Parts List

May 2011

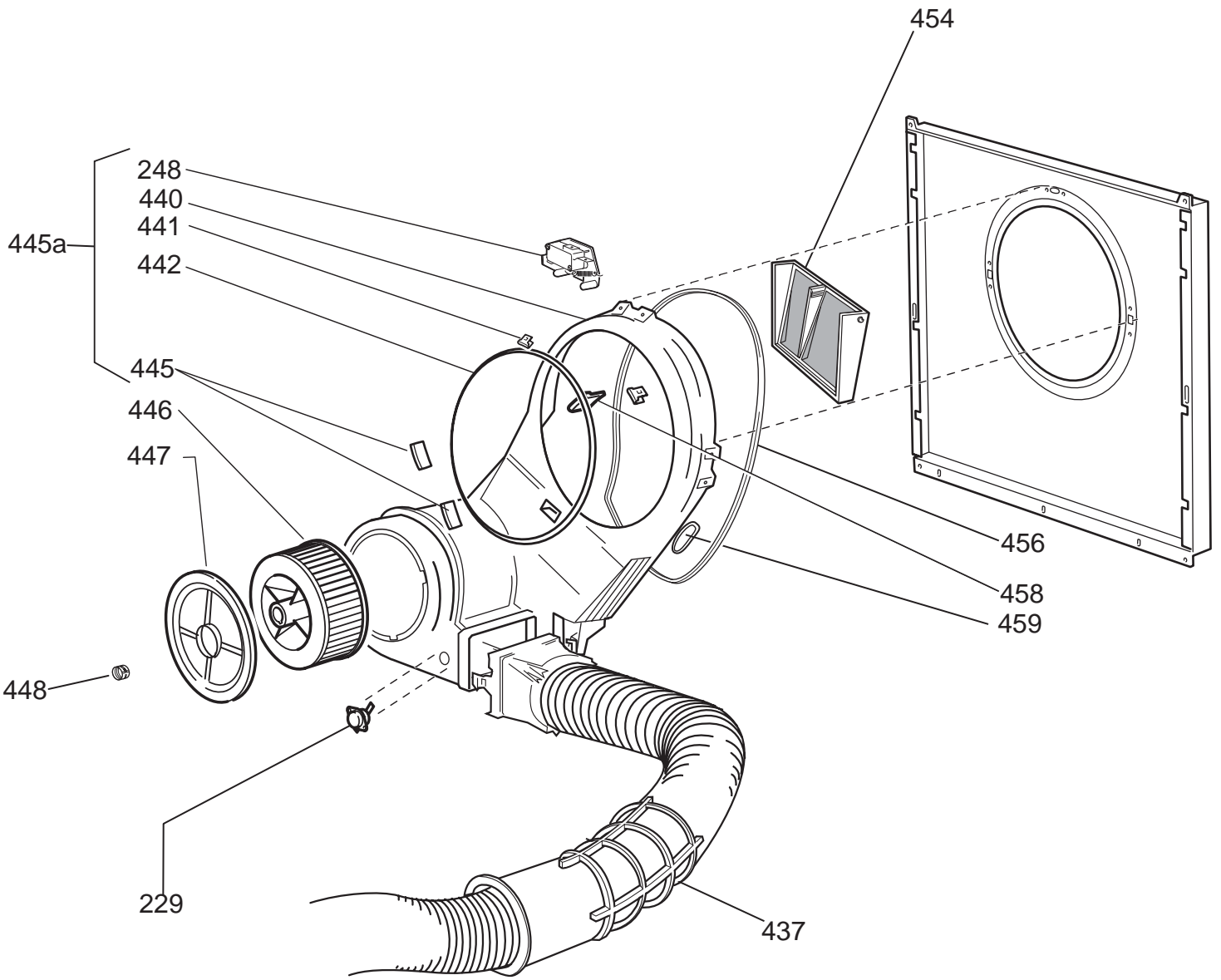
White Knight 44AW - Air Vented Tumble Dryer - Exploded View 1



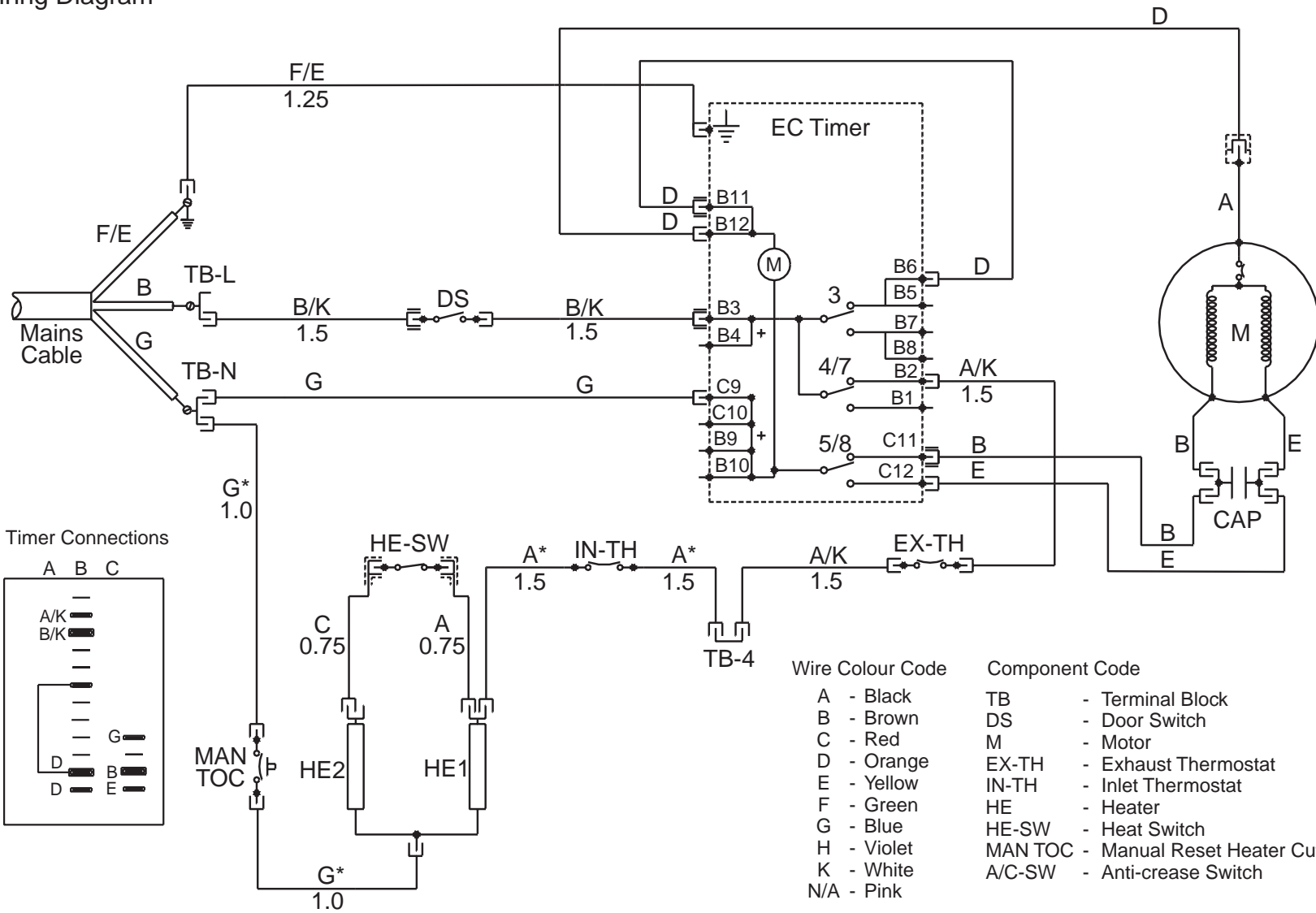
White Knight 44AW - Air Vented Tumble Dryer - Exploded View 2



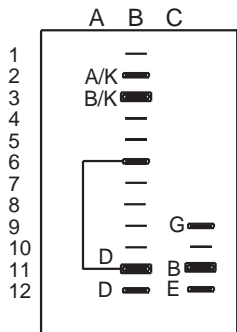
White Knight - Air Vented Tumble Dryer - Exploded View 3



Wiring Diagram



Timer Connections



Wire Colour Code

- A - Black
- B - Brown
- C - Red
- D - Orange
- E - Yellow
- F - Green
- G - Blue
- H - Violet
- K - White
- N/A - Pink

Component Code

- TB - Terminal Block
- DS - Door Switch
- M - Motor
- EX-TH - Exhaust Thermostat
- IN-TH - Inlet Thermostat
- HE - Heater
- HE-SW - Heat Switch
- MAN TOC - Manual Reset Heater Cut-out
- A/C-SW - Anti-crease Switch

White Knight 44AW AIR VENTED TUMBLE DRYER - SPARE PARTS LIST

ITEM	DESCRIPTION	CODE	EXPLODED VIEW
101	Motor & 8uf Capacitor Assembly	4213 092 25611	2
112	8uf Capacitor	4213 092 08091	2
125	Drive Belt	4213 092 18601	2
141	Mains Cable & Plug	4213 076 35123	2
142	Terminal Block	4213 078 44613	2
144	Earth Tab Assembly	4213 092 41181	2
196	Cabinet Assembly	4213 092 43481	1
199	Plinth Assembly	4213 092 43491	1
201	Door Seal	4213 077 08344	1
203	Complete Curveline Door Assembly	4213 092 49421	1
203a	Curveline Door Frame Assy	4213 092 49431	1
211	Timer	4213 078 55142	1
227	Heating Element	4213 092 05521	2
228	Heat TOC	4213 078 50161	2
229	Thermostat	4213 078 48373	3
230	Thermostat (inlet)	4213 078 56261	2
235	Heat Switch	4213 078 52811	1
235a	Start Switch	4213 089 91651	1
248	Microswitch/Bracket Assembly	4213 092 35471	1 & 3
266	Drum Assembly	4213 092 05531	2
270	Drum Shaft/Bearing Kit	4213 092 05591	2
352	Timer Knob Assembly	4213 092 45741	1
353	Control Panel Assembly	4213 092 46201	1
359	Door Hinge Assembly	4213 092 26071	1
362	Window	4213 077 44095	1
363	Curveline Door Frame & Insert	4213 092 45671	1
364	Latch Pivot	4213 075 13013	1
365	Latch Spring	4213 075 70833	1
366	Door Latch	4213 077 53413	1
367	Switch Strike	4213 077 57009	1
369	Loom Clip	4213 075 70941	1
370	Latch Guide	4213 077 40992	1
372	Timer Bracket	4213 070 10932	1
376	Front Panel	4213 092 45681	1 & 3
377	Buttons Assembly	4213 092 45781	1
386	Top Cover	4213 092 46211	1
390	Gasket	4213 074 50862	2
393	Flex Support Clip	4213 077 40982	2
394	Foot	4213 077 39833	1
395	Heater Wires Clip	4213 075 70971	2
399	Heater Support	4213 080 06619	2
400	Heater Plate	4213 080 14551	2
402	Access Panel	4213 080 06558	2
408	Cable Clamp	4213 077 47303	2
413	Back Panel	4213 092 37601	2
427	Motor Spring Clip	4213 078 45362	2
432	Motor Mount Bracket	4213 080 0675A	2
437	Rear Vent Assembly	0312 002 01000	2 & 3
440	Banjo Assembly	4213 092 17811	3
441	Front Bearing (short)	4213 077 40952	3
442	Front Seal	4213 077 40942	3
444	Lifter	4213 077 41009	2
445	Front Bearing (long)	4213 077 40962	3
445a	Bearing & Seal Kit Assy	4213 092 21171	3

White Knight 44AW AIR VENTED TUMBLE DRYER - SPARE PARTS LIST

446	Fan	4213 077 40896	2 & 3
447	Access Cover Assembly	4213 092 18081	2 & 3
448	Spring Clip (Fan)	4213 075 71162	3
454	Filter	4213 092 17821	3
456	Banjo Seal	4213 077 07991	3
458	Banjo Insert No 2	4213 077 53502	3
459	Banjo Insert No 1	4213 077 53492	3

NOT SHOWN ON EXPLODED VIEW	
INSTRUCTION BOOK	4213 094 5932C