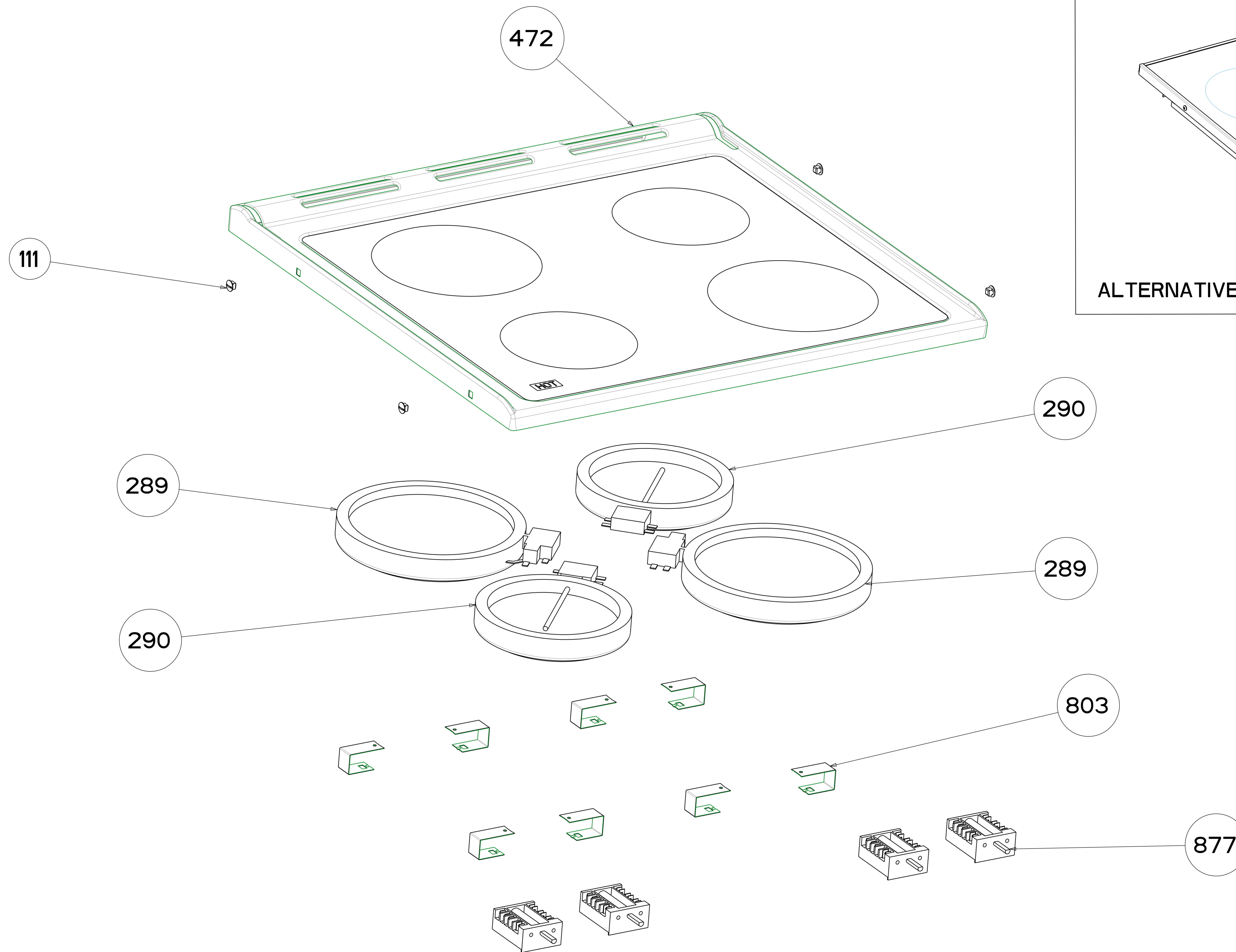
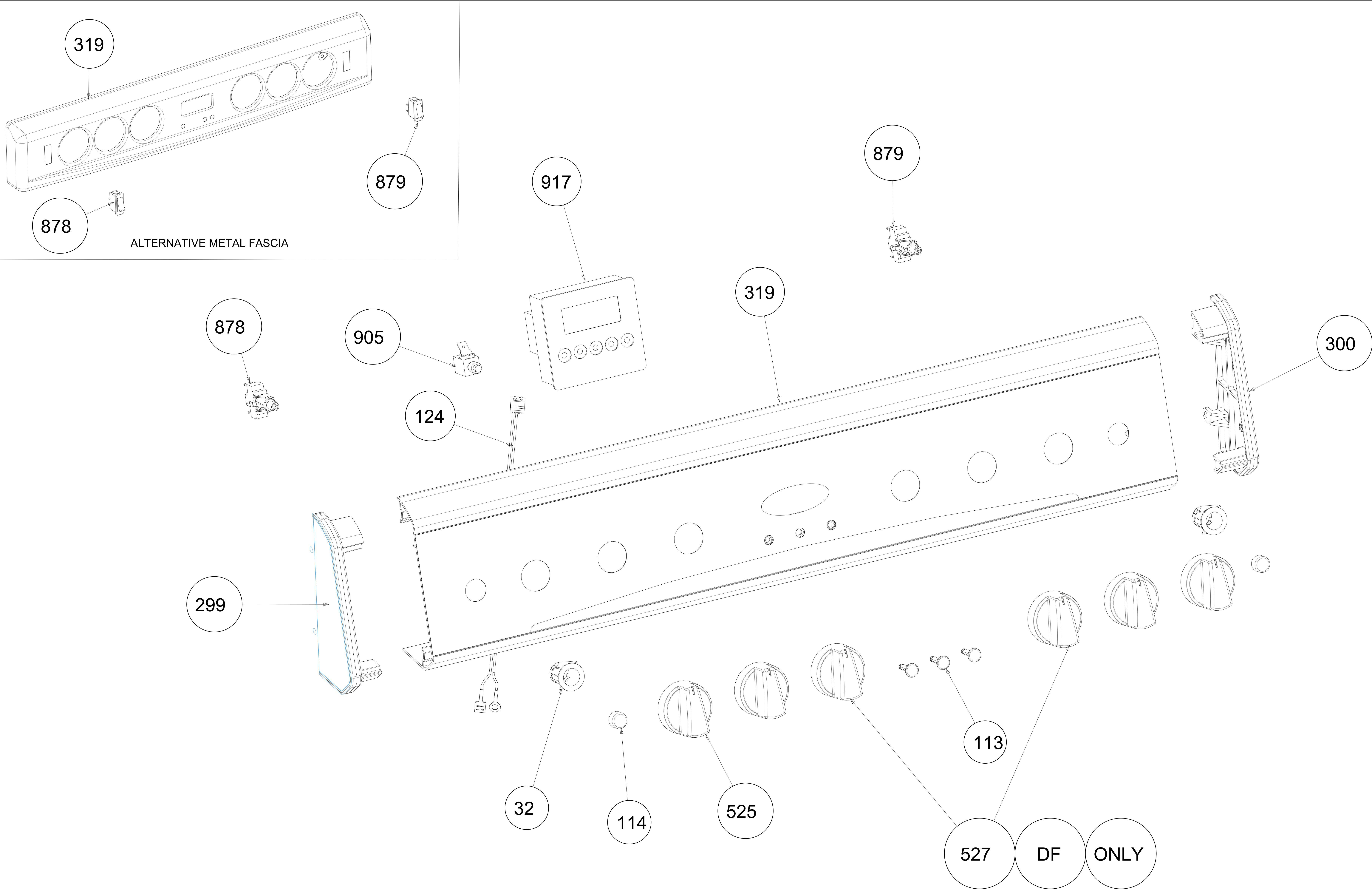


# FREESTANDING ELECTRIC CERAMIC

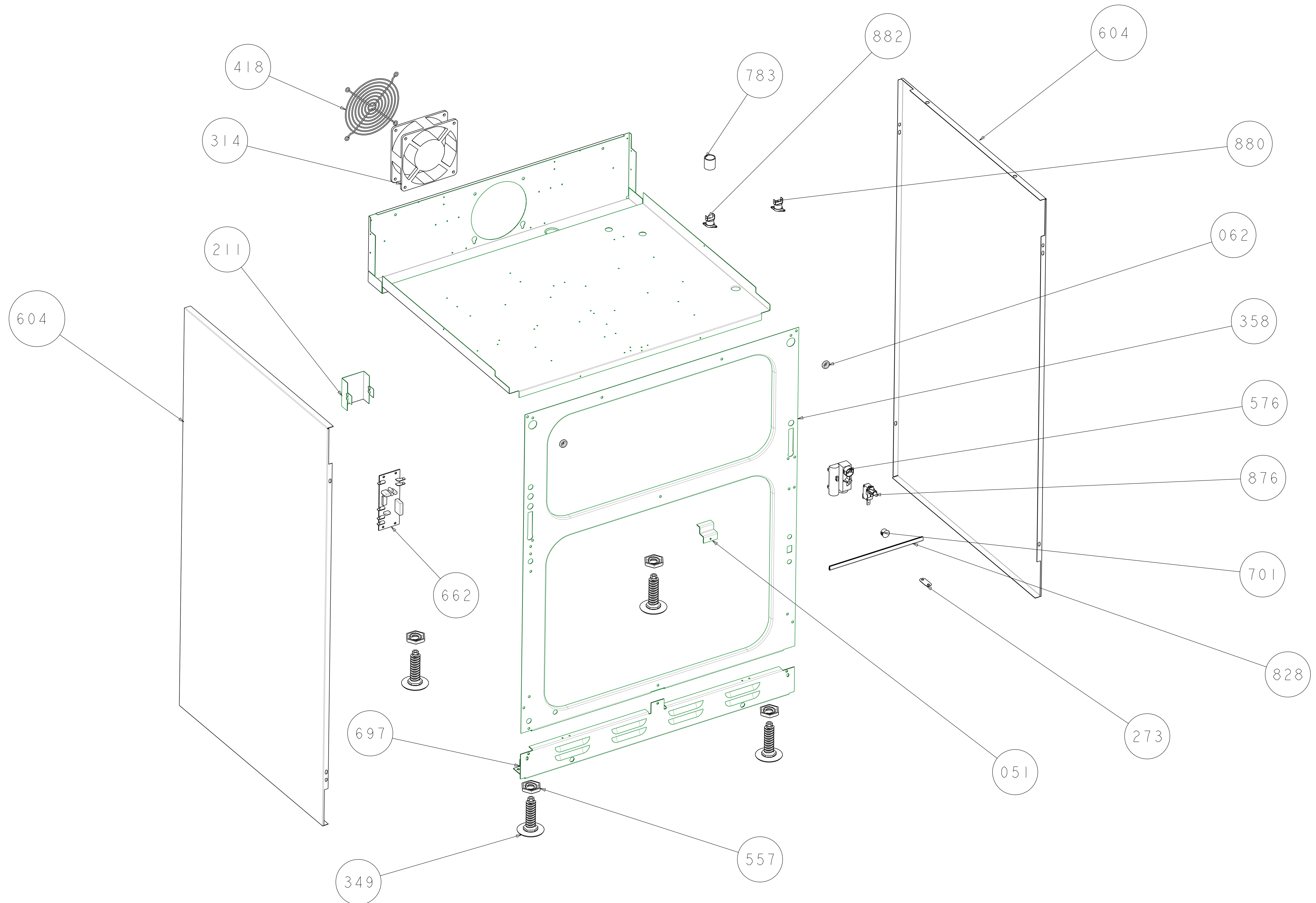


THE PARTS ON THIS DRAWING ARE REPRESENTATIVE ONLY AND MAY VARY VISUALLY.  
THIS DRAWING IS GENERIC AND PARTS SHOWN MAY NOT BE ON ALL MODELS.

# FACIA FREESTANDING

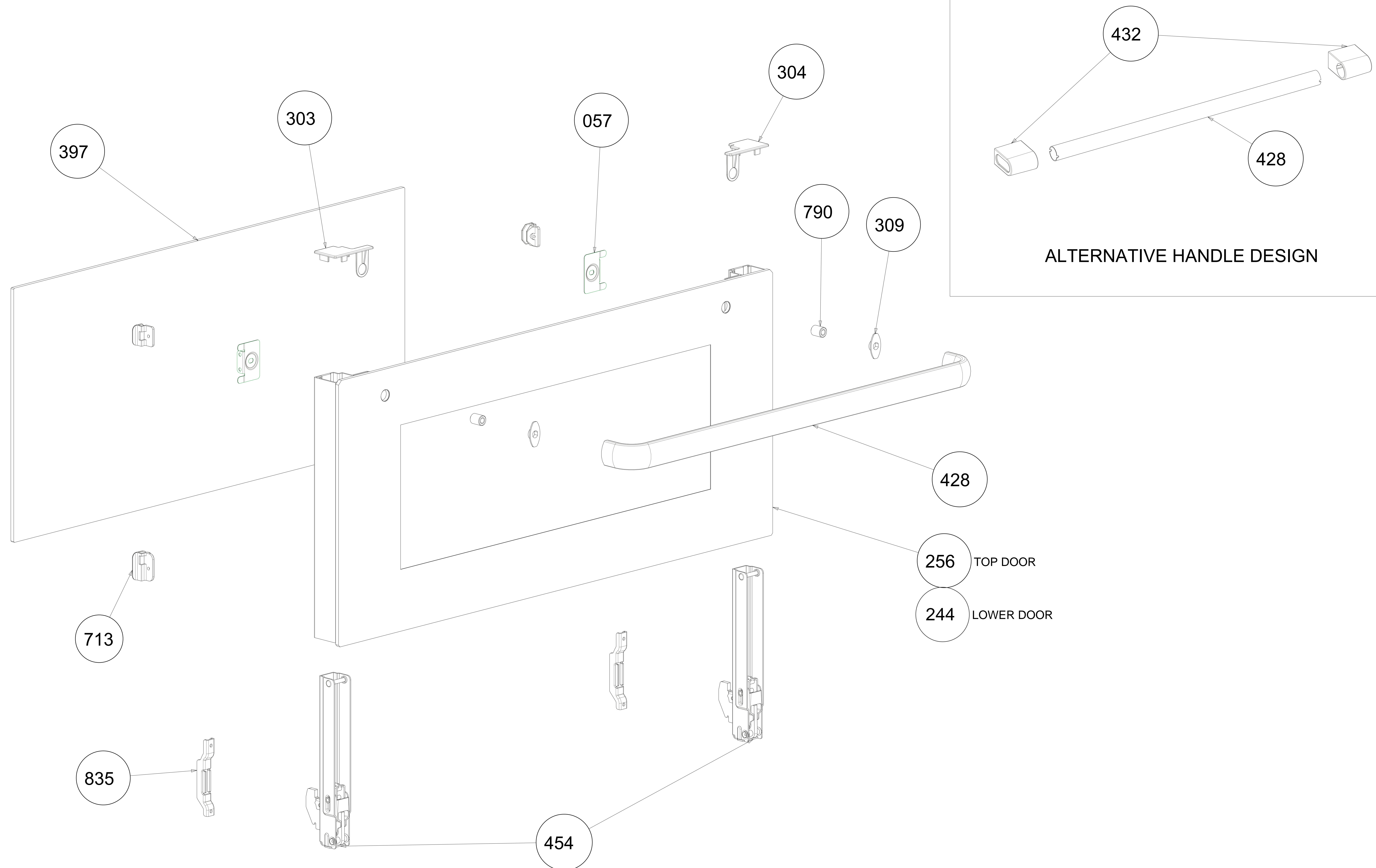


# EV\_CHASSIS\_FS



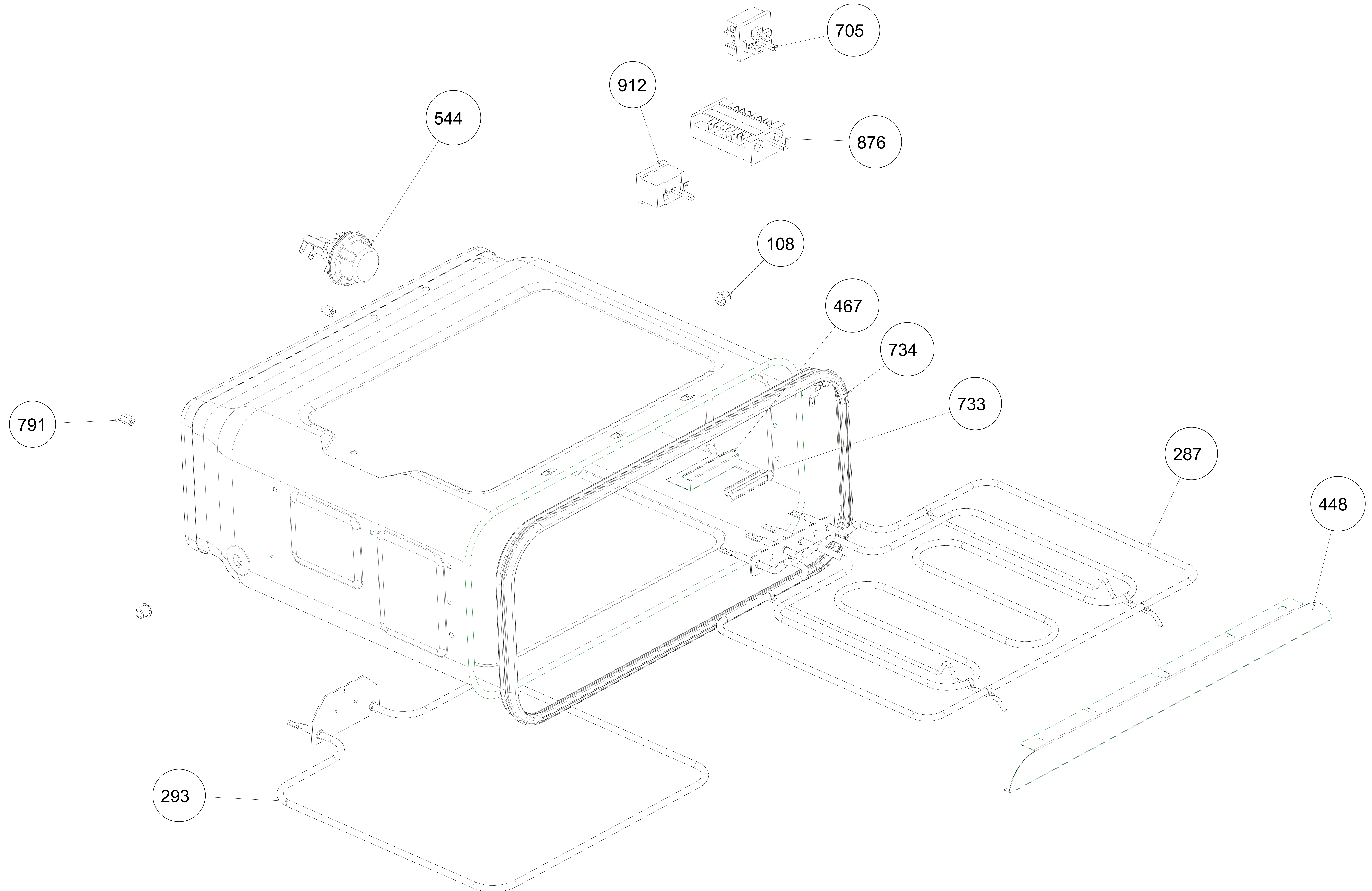
THE PARTS ON THIS DRAWING ARE REPRESENTATIVE ONLY AND MAY VARY VISUALLY.  
THIS DRAWING IS GENERIC AND PARTS SHOWN MAY NOT BE ON ALL MODELS.

# EV TOP DOOR GLASS



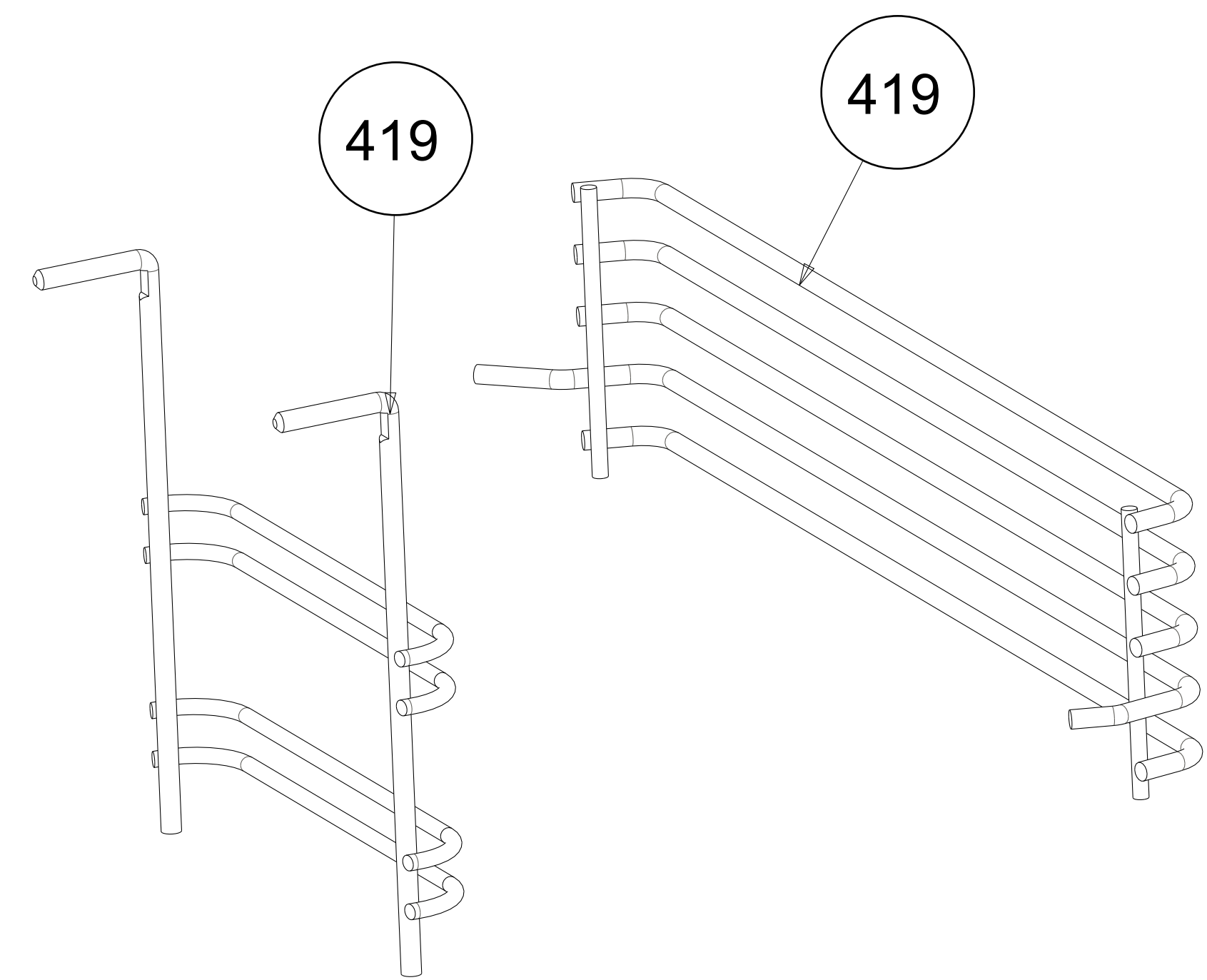
THE PARTS ON THIS DRAWING ARE REPRESENTATIVE ONLY AND MAY VARY VISUALLY.  
THIS DRAWING IS GENERIC AND PARTS SHOWN MAY NOT BE ON ALL MODELS.

# EV\_OVEN\_TOP\_E

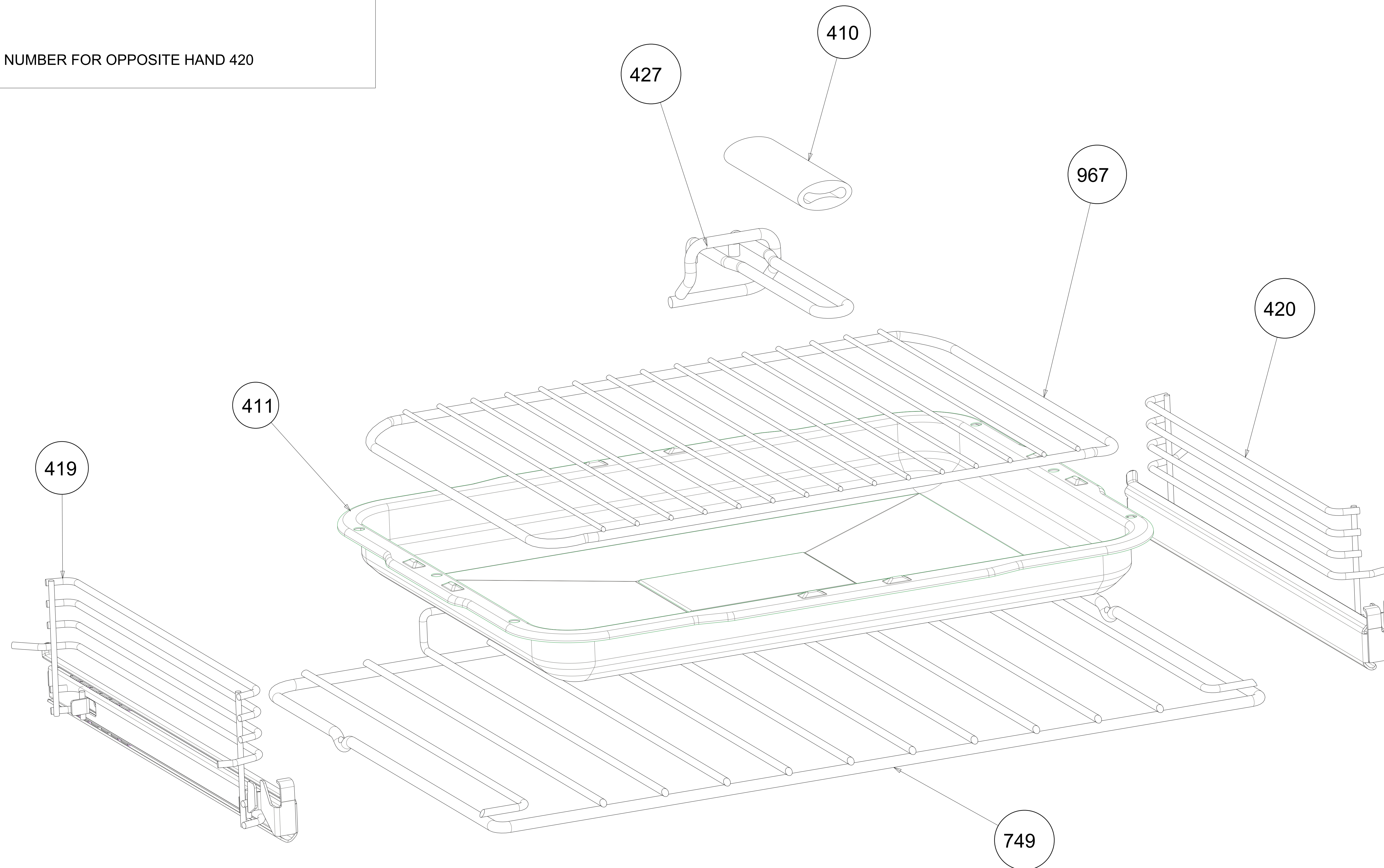


THE PARTS ON THIS DRAWING ARE REPRESENTATIVE ONLY AND MAY VARY VISUALLY.  
THIS DRAWING IS GENERIC AND PARTS SHOWN MAY NOT BE ON ALL MODELS.

# FURNITURE TOP OVEN

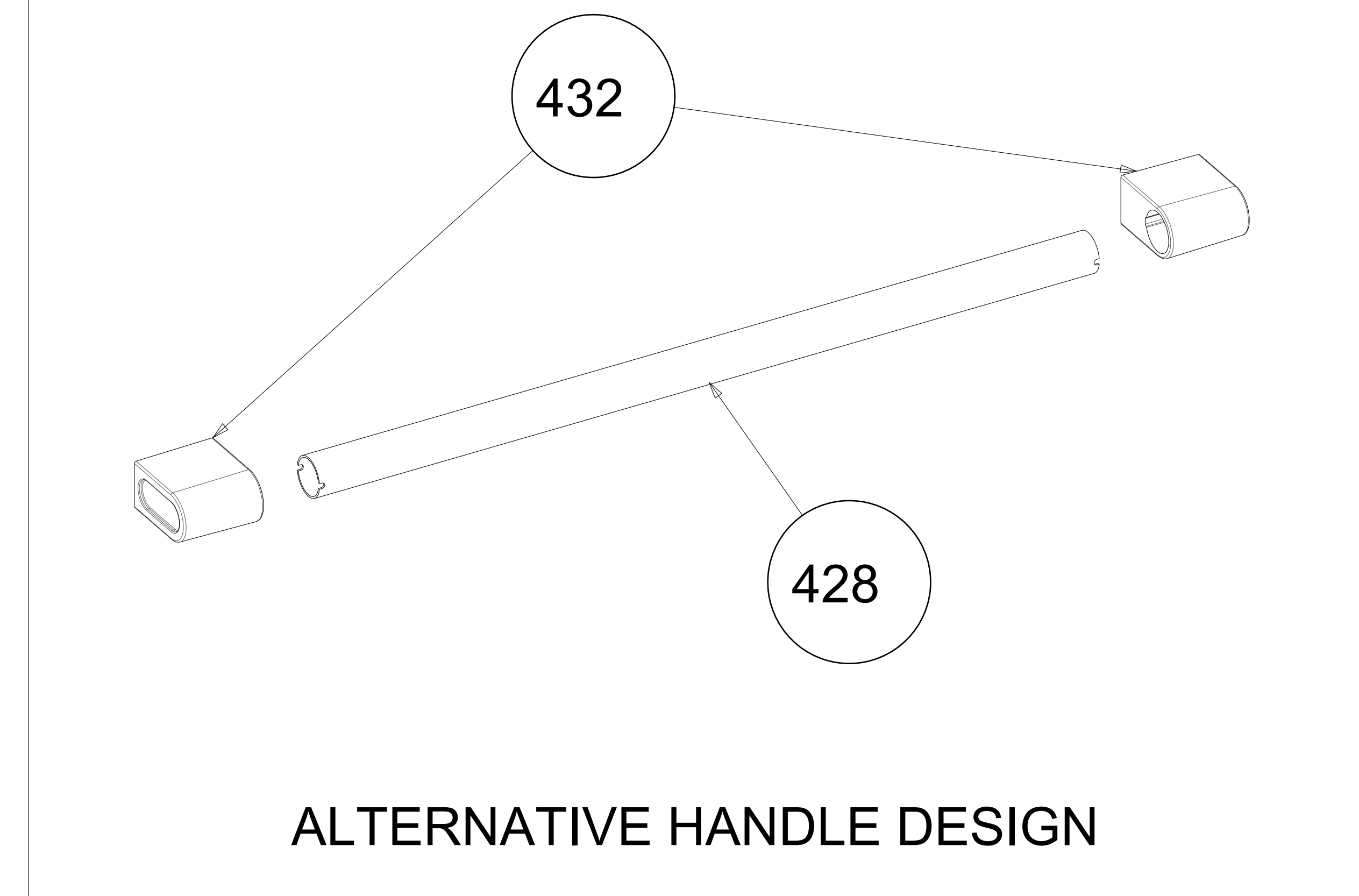
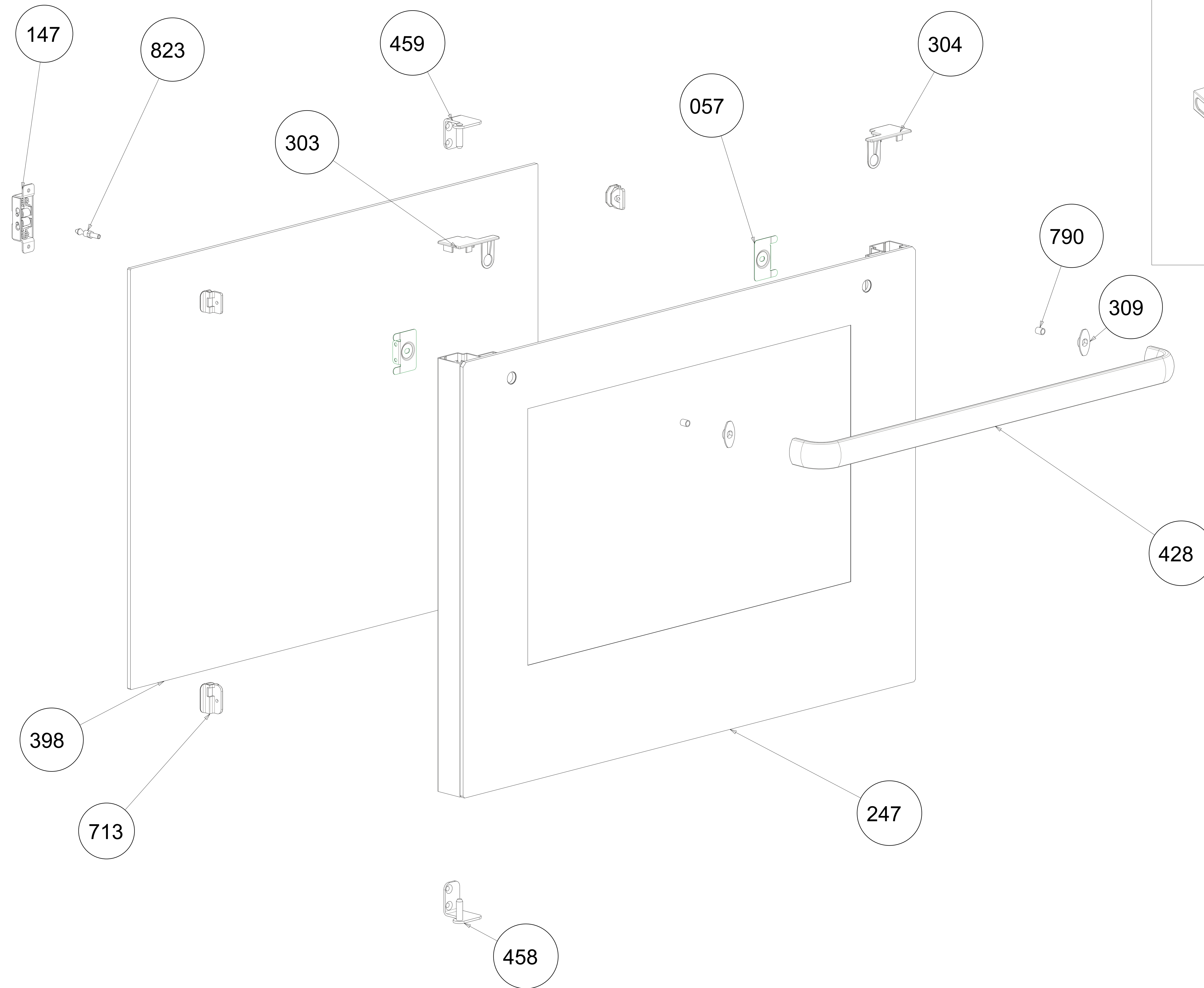


ALTERNATIVE SHELF GUIDES - KEY NUMBER FOR OPPOSITE HAND 420



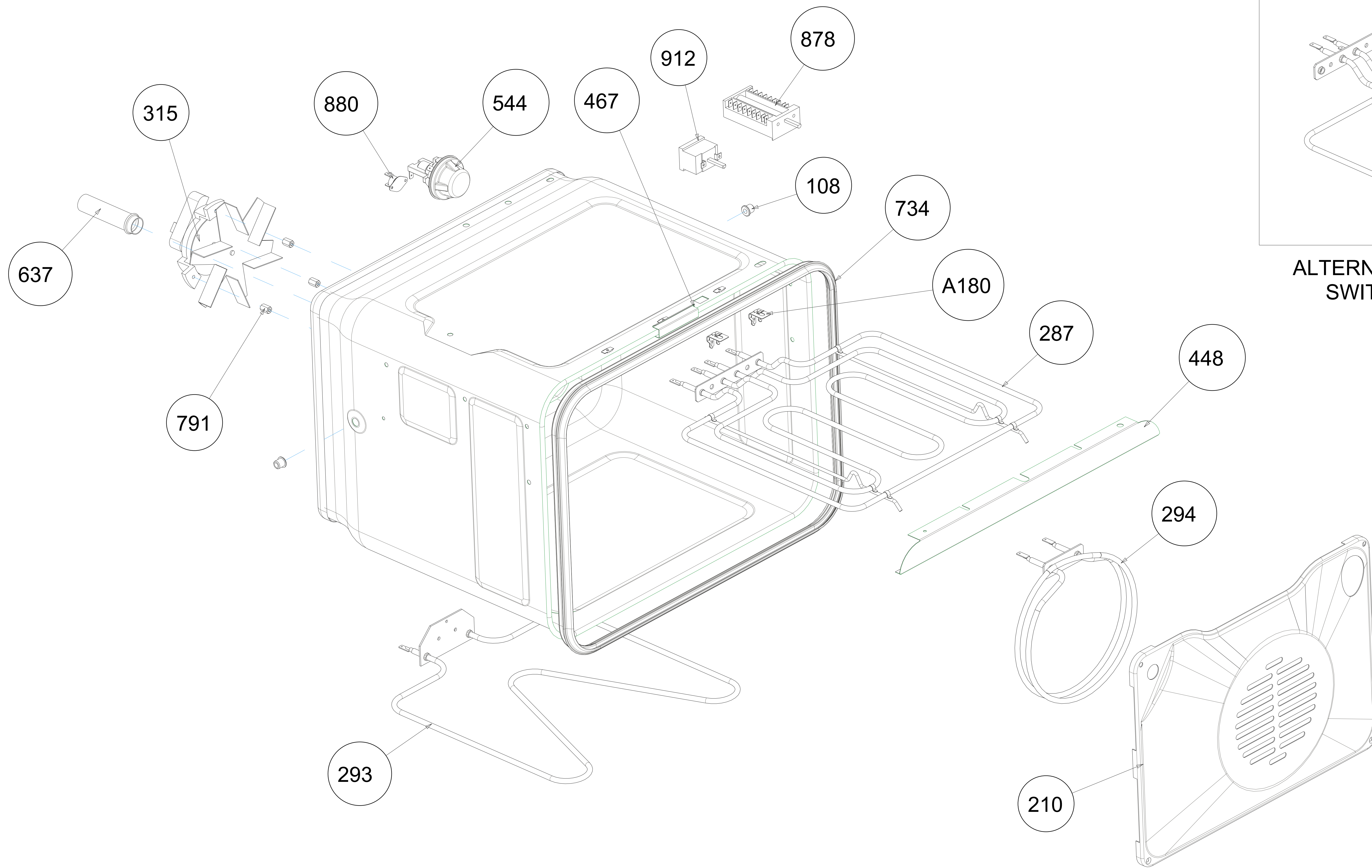
THE PARTS ON THIS DRAWING ARE REPRESENTATIVE ONLY AND MAY VARY VISUALLY.  
THIS DRAWING IS GENERIC AND PARTS SHOWN MAY NOT BE ON ALL MODELS.

# EV MAIN DOOR GLASS LH

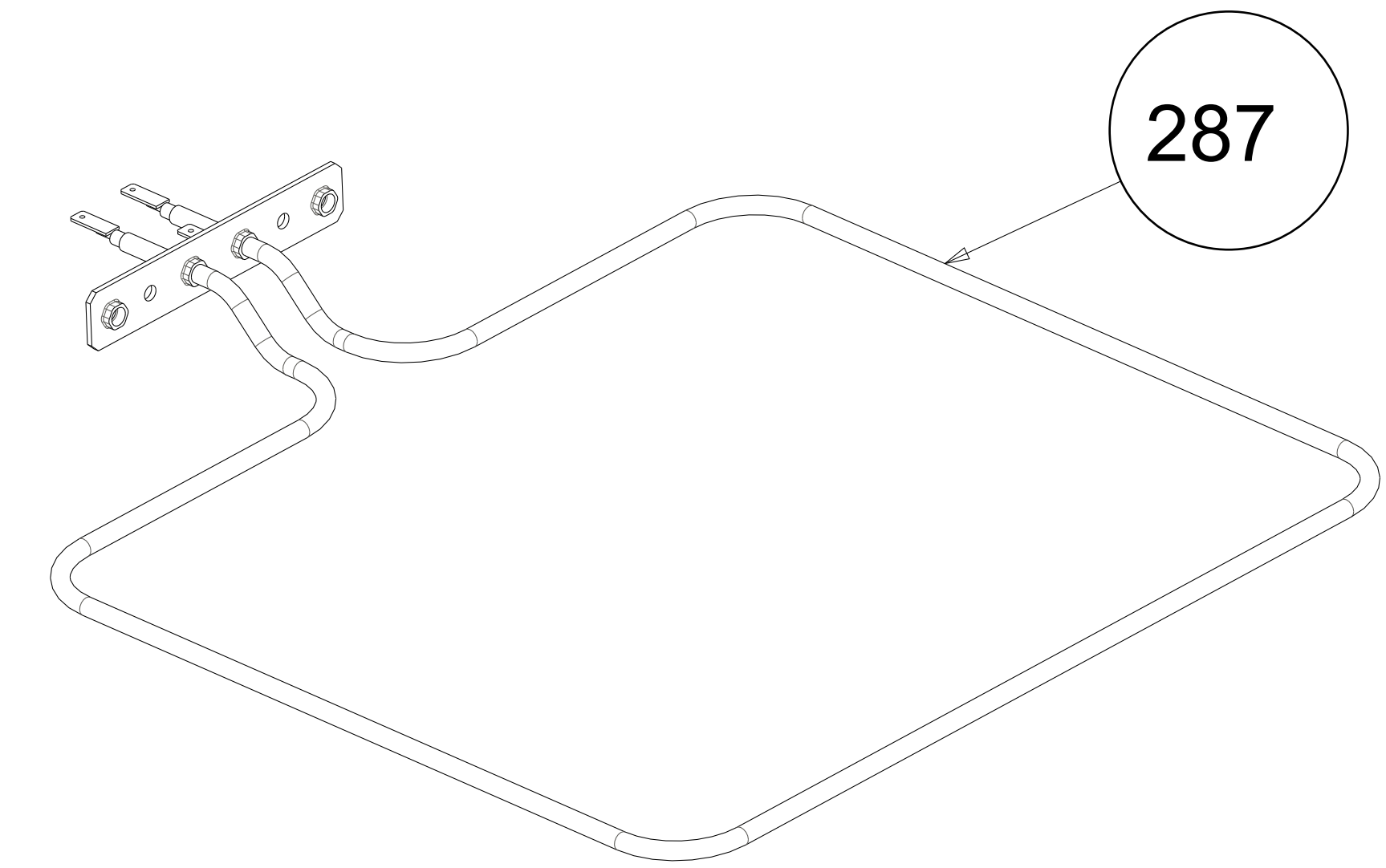


THE PARTS ON THIS DRAWING ARE REPRESENTATIVE ONLY AND MAY VARY VISUALLY.  
THIS DRAWING IS GENERIC AND PARTS SHOWN MAY NOT BE ON ALL MODELS.

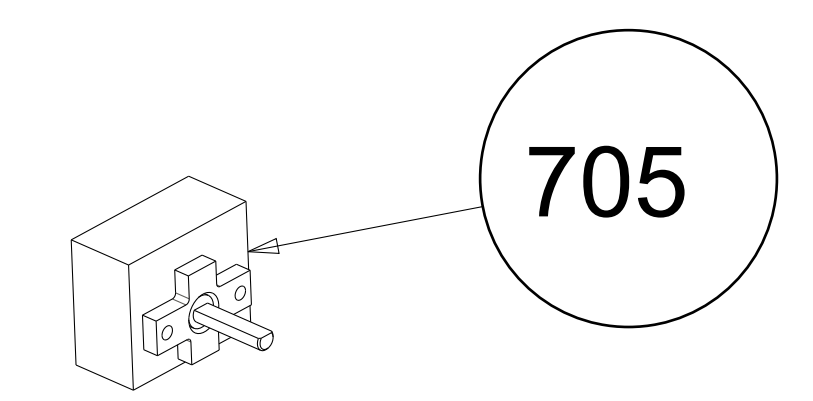
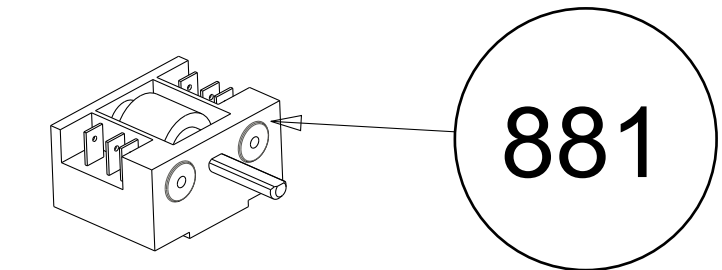
# EV\_OVEN\_MAIN\_E



## ALTERNATIVE GRILL ELEMENT



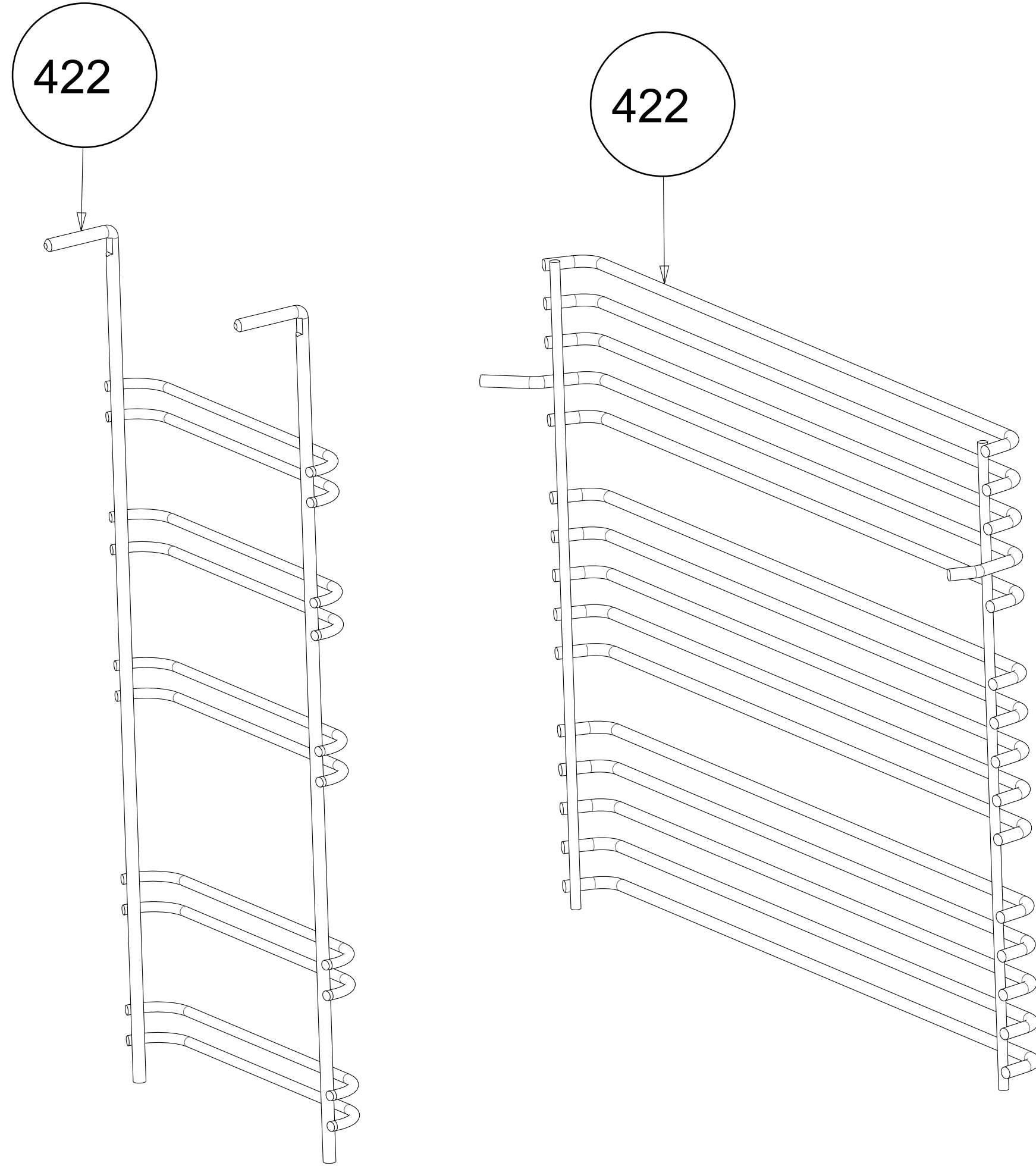
## ALTERNATIVE SWITCHES



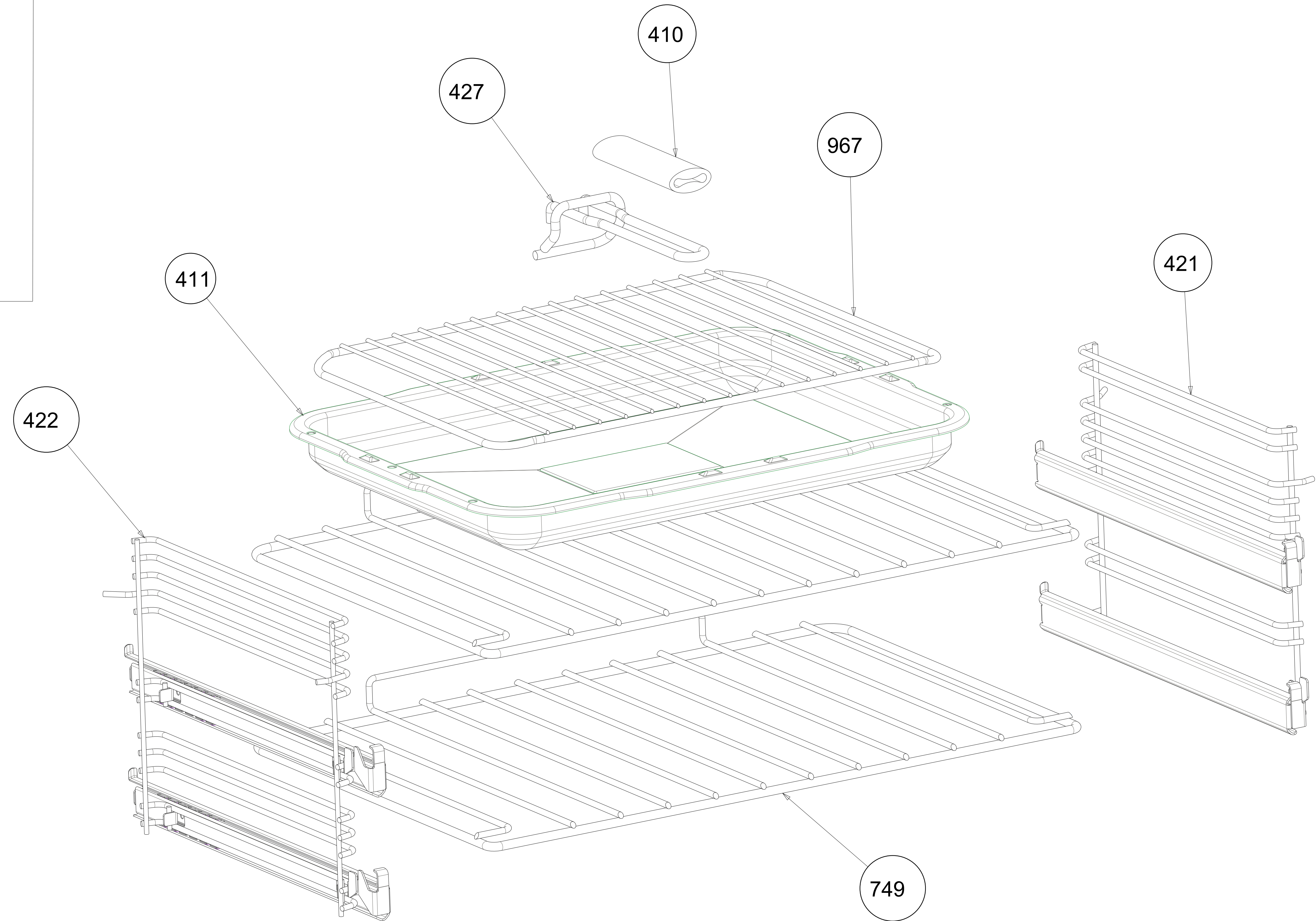
THE PARTS ON THIS DRAWING ARE REPRESENTATIVE ONLY AND MAY VARY VISUALLY.  
THIS DRAWING IS GENERIC AND PARTS SHOWN MAY NOT BE ON ALL MODELS.

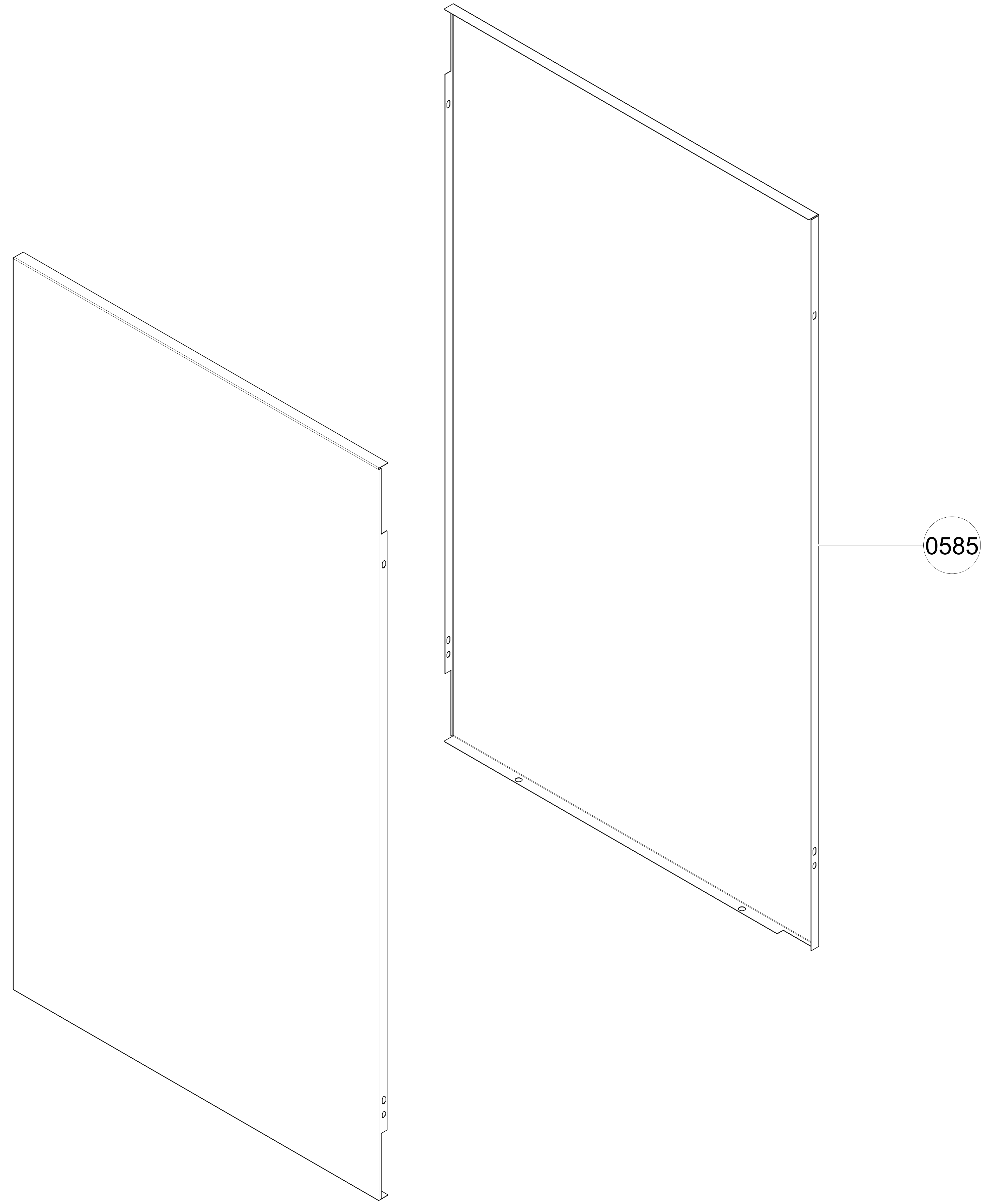


# FURNITURE MAIN OVEN



ALTERNATIVE SHELF GUIDES- KEY NUMBER FOR OPPOSITE HAND 421





0585



PRESCOT, MERSEYSIDE, L35 2XW

PART NAME: SIDE PANELS

APPLIANCE NAME: BEL FSE 60 DO

DRG N°: 073107500

TCO	ISSUE	MODIFICATION	NAME	DATE	DRAWN: PRM	18-08-09