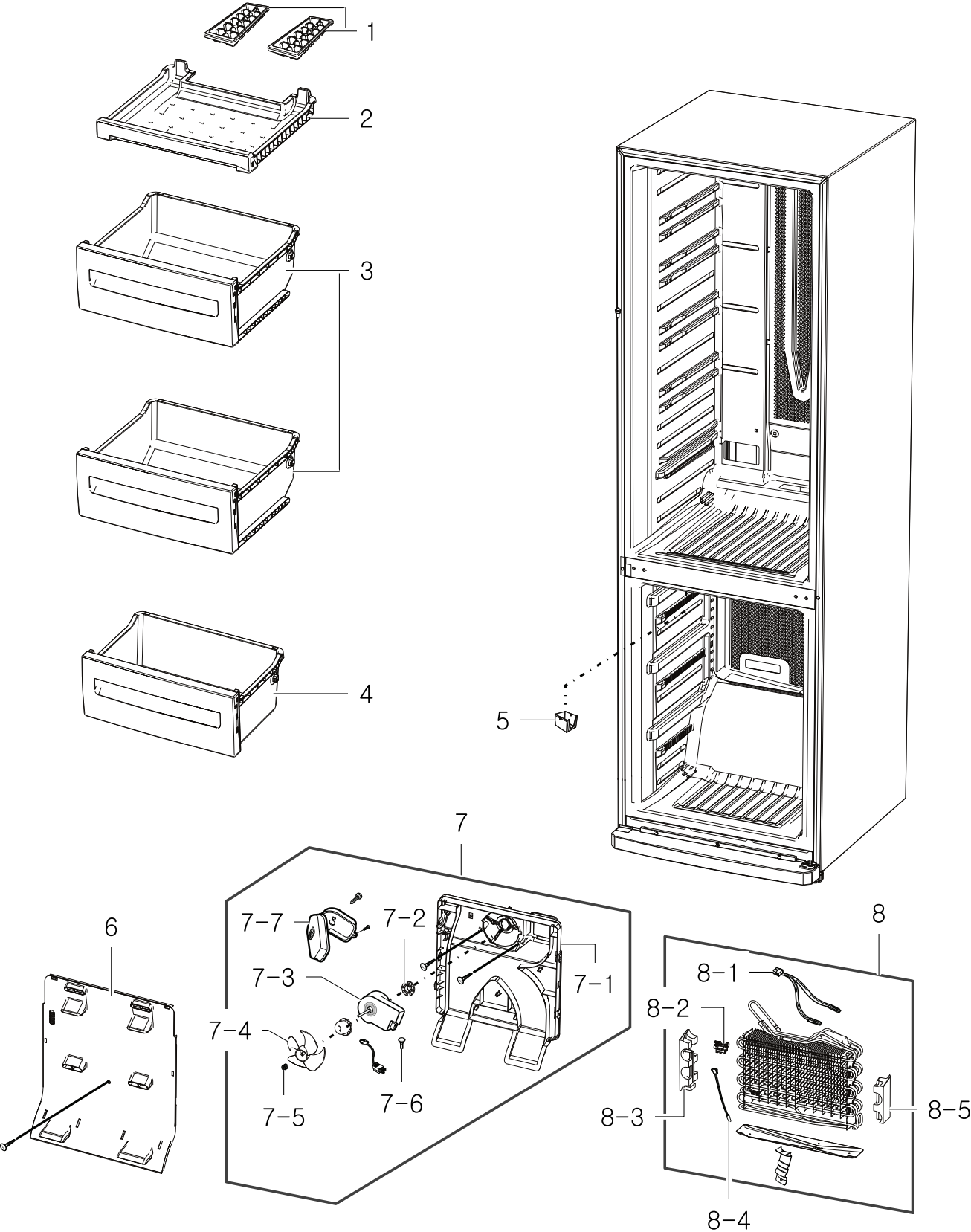


1. Freezer-LED SEMI

Exploded View

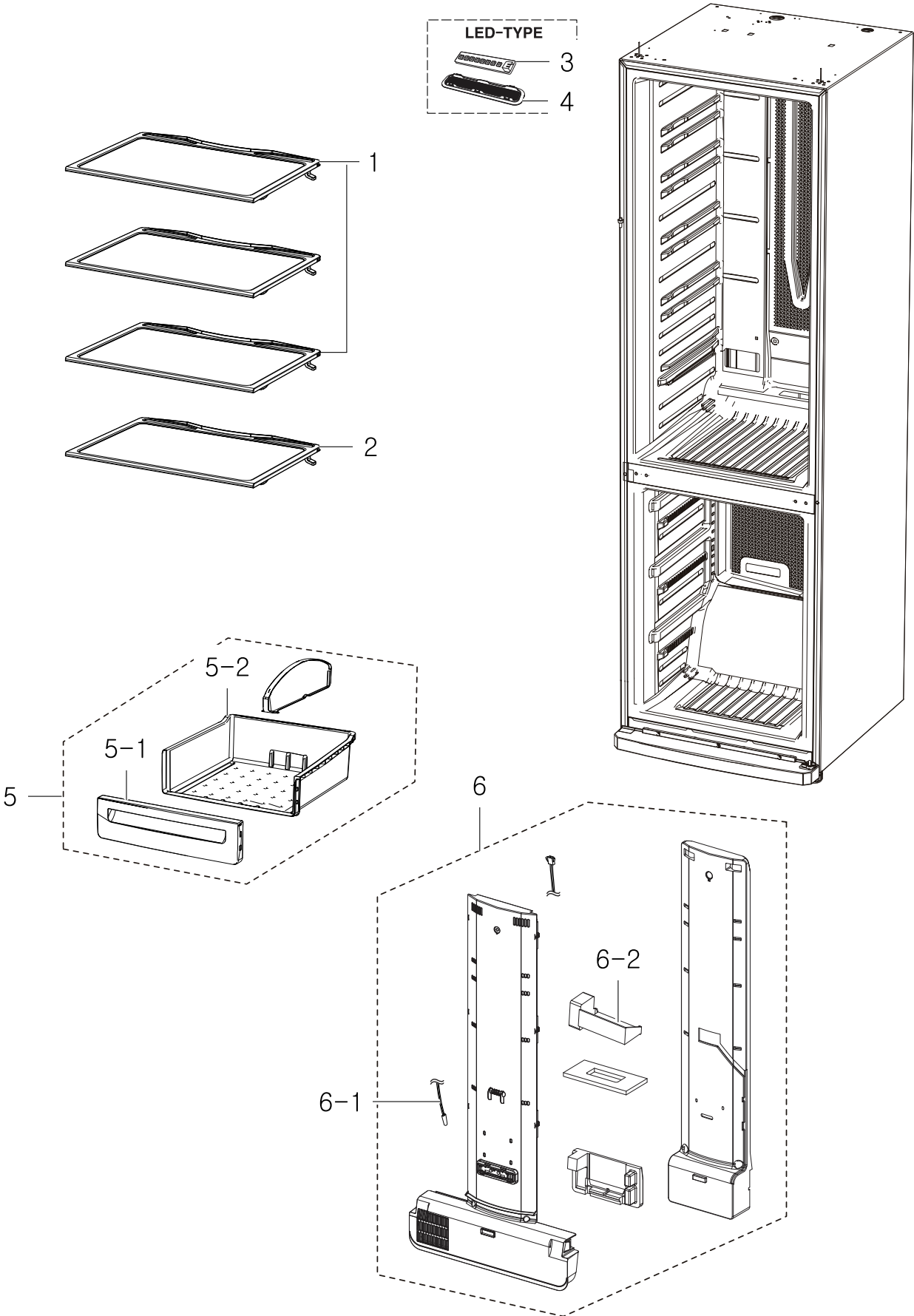


Parts List

No.	Parent	Lvl.	Loc.	Material Code	Description & Specification	SNA	Qty.
1	DA90-03408B	2	RM088	DA67-40146B	TRAY-ICE; SR-1500,NTR,PE,-,-,-,-,-,-	SA	2
2	DA90-03408B	2	RI242	DA97-04099B	ASSY TRAY-FRE UPP; CORE-PJT,-,-,-,SC-0274	SA	1
3	DA90-03408B	2	RG158	DA97-04127A	ASSY TRAY-FRE MID; CORE-PJT,-,-,-,SC-0274	SA	2
4	DA90-03408B	2	RI057	DA97-04126A	ASSY TRAY-FRE LOW; CORE-PJT,-,-,-,SC-0274	SA	1
5	DA90-03405B	2	RI222	DA63-02902B	COVER-FIXER HOUSING V; NEXT-PJT,GALVA,T0.	SA	1
6	DA90-03405B	2	RF006	DA97-04020C	ASSY COVER-EVAP FRONT; CORE-PJT,SAEL NTR	SA	1
7	DA90-03405B	2	RF524	DA97-04244L	ASSY COVER-EVAP REAR(AC); CORE,220V~240V	SA	1
7-1	DA97-04244L	3	RF319	DA63-03076B	COVER EVAP-REAR; CORE-PJT,PPSCRAP,-,W421.	SA	1
7-2	DA97-04244L	3	RY355	DA63-00771A	GROMMET-FAN MOTOR; OMEGA,NBR,-,-,-,-,-,BL	SA	1
7-3	DA97-04244L	3	RH808	DA31-00103H	MOTOR FAN-AC; IS-27210SNC5B,CORE,66 15%	SA	1
7-4	DA97-04244L	3	RG065	DA31-00148A	FAN-AX112W5CCI; -,LMF,ABS,-,HF0660I	SA	1
7-5	DA97-04244L	3	RR053	DA61-20128A	SPRING ETC-FAN; STS304,PI8.8,ID7.8,OD9.8,	SA	1
7-6	DA97-04244L	3	RR066	DA63-40167A	GROMMET-COVER CHIL; SILICON,L16,WHITE	SA	1
7-7	DA97-04244L	3	RK171	DA63-01283C	COVER-MOTOR; AD,PP,NTR,AC,BJ730	SA	1
8	DA90-03400B	2	RF011	DA96-00280K	ASSY EVAP-FRE; SVETA,PIN,220~240V	SA	1
8-1	DA96-00280K	3	RR244	DA47-10148X	THERMO FUSE-ASSY; SVETA,*,250,10,77-4,ASS	SA	1
8-2	DA96-00280K	3	RG124	DA61-02901A	FIXER-SENSOR EVAP; CORE-PJT,PP,-,NTR,-	SA	1
8-3	DA96-00280K	3	RF492	DA60-00153A	SPACER-EVAP L; CORE-PJT,FOAM PS,-,-,-,-,-	SNA	1
8-4	DA96-00280K	3	RG108	DA32-00006S	SENSOR TEMP-R-DEF; PX-41C, 502AT,AW-PJT,-	SA	1
8-5	DA96-00280K	3	RF124	DA60-00154A	SPACER-EVAP R; CORE-PJT,FOAM PS,-,-,-,-,-	SNA	1

2. Fridge-RL38 LED

Exploded View

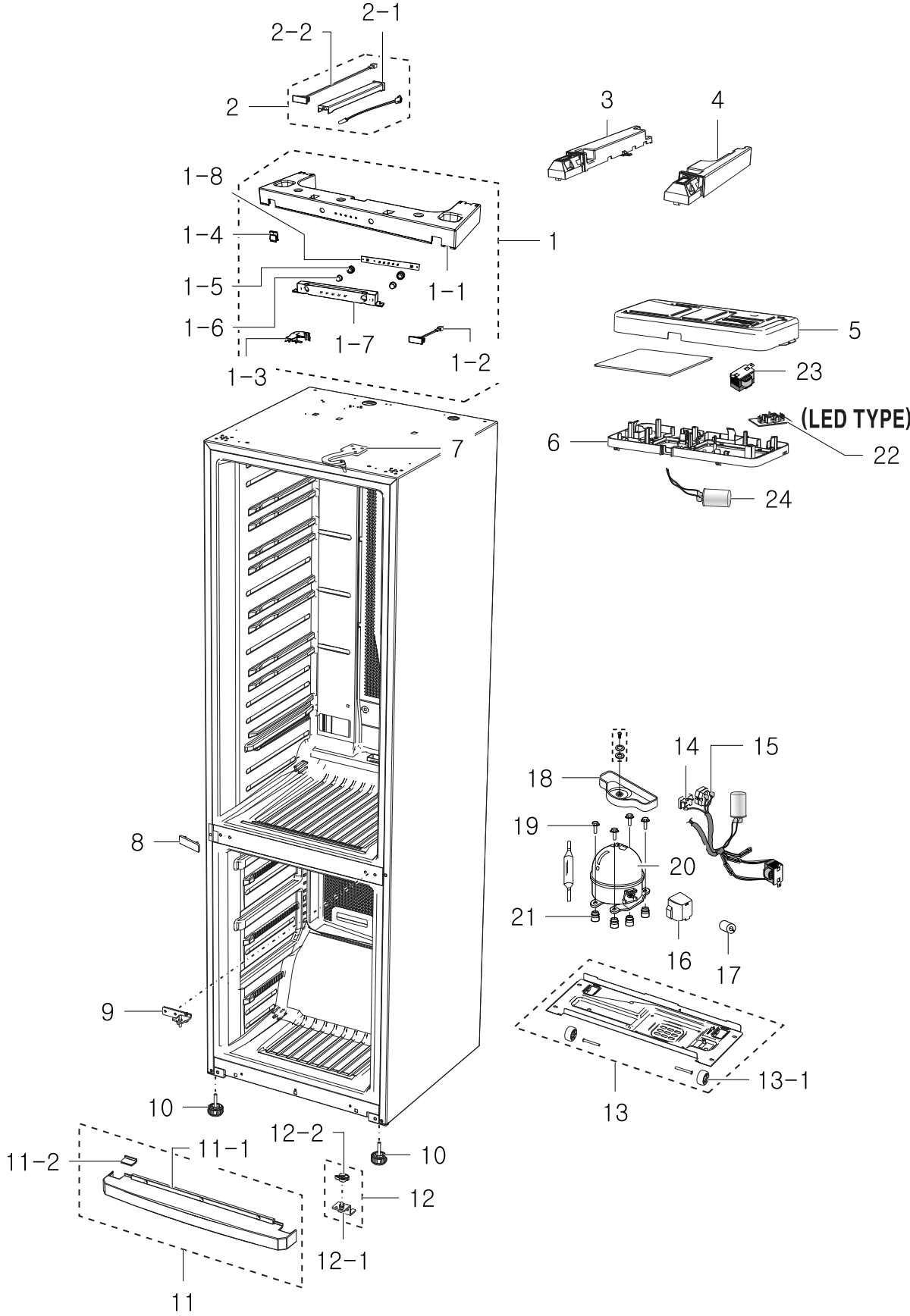


Parts List

No.	Parent	Lvl.	Loc.	Material Code	Description & Specification	SNA	Qty.
1	DA90-03407G	2	RI650	DA67-01446B	SHELF REF; CORE(NORMAL),PP+GLASS,-,W365.4	SA	3
2	DA90-03407G	2	RS144	DA67-01469A	SHELF-VEGETABLE; CORE 63,PP,-,-,-,COOL WH	SA	1
3	DA90-03551N	2	RK387	DA41-00519B	PBA-LED LAMP; GUGGENHEIM-PJT,F-ROOM,CEM-1	SA	1
4	DA90-03551N	2	RI370	DA63-06849A	COVER LAMP-LED FRONT; POLARIS,PC,TRANSPAR	SA	1
5	DA90-03407G	2	RI001	DA97-04150B	ASSY CASE VEG-LOW; CORE63	SA	1
5-1	DA97-04150B	3	RI009	DA63-03170B	COVER-VEG LOW; CORE,GPPS,-,-,-,-,NATURA	SA	1
5-2	DA97-04150B	3	RR254	DA61-02889A	CASE-VEG LOW; CORE63,PP,-,-,-,COOL WHT(SC	SA	1
6	DA90-03406G	2	RI019	DA97-03952D	ASSY COVER MULTI REF; CORE.RL38,LED	SA	1
6-1	DA97-03952D	3	RR375	DA32-10105R	SENSOR TEMP; 502AT,ET-PJT,-50~50,5V,1000	SA	1
6-2	DA97-03952D	3	RK368	DA31-00043F	MOTOR DC-MOTOR-DAMPER; -,CORE-PJT,Max 60m	SA	1

3. Cabinet-LED SEMI

Exploded View



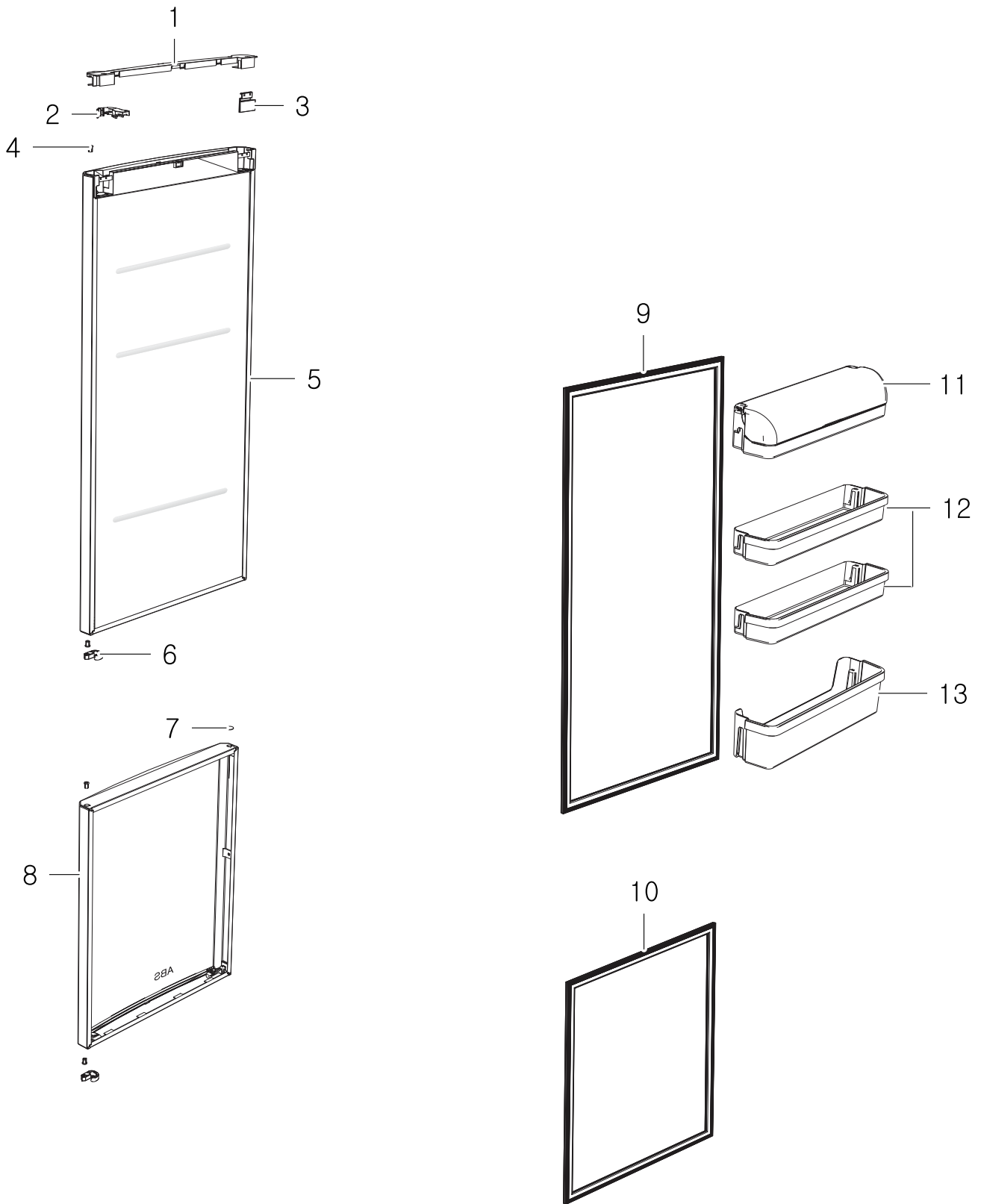
Parts List

No.	Parent	Lvl.	Loc.	Material Code	Description & Specification	SNA	Qty.
1	DA90-03551N	2	RO237	DA97-04804Q	ASSY CAP-CABI SEMI; CORE,ABS,INOX	SA	1
1-1	DA97-04804Q	3	RO315	DA67-01585C	CAP-CABI SEMI; CORE-PJT,ABS,-,-,SC-0603	SA	1
1-2	DA97-04804Q	3	RK819	DA34-00043A	SWITCH REED-ASS'Y; 200VDC,1.5,-	SA	1
1-3	DA97-04804Q	3	RO454	DA63-03029B	COVER-WIRE HINGE L; CORE-PJT,PP,-,-,-,-	SA	1
1-4	DA97-04804Q	3	RR231	DA67-01433H	CAP-HOLE HINGE UPP; CORE-PJT,HIPS,-,W37.1	SA	1
1-5	DA97-04804Q	3	RO235	DA63-03080A	GASKET-BUTTON; CORE-PJT,NBR,-,-,-,-,SEM	SA	2
1-6	DA97-04804Q	3	RO236	DA64-01824C	BUTTON-SEMI; CORE-PJT,HIPS,-,-,SC-06034R,	SA	2
1-7	DA97-04804Q	3	RO234	DA63-03079A	COVER-CONTROL SEMI; CORE-PJT,GPPS,-,-,-,-	SA	1
1-8	DA97-04804Q	3	RR587	DA41-00370A	ASSY PCB KIT LED; CORE SEMI,DOOR REF,FR-1	SA	1
2	DA90-03551N	2	RO190	DA97-11904B	ASSY COVER-WIRE CABI; CORE-PJT,SEMI DISPL	SA	1
2-1	DA97-11904B	3	RR229	DA63-03074B	COVER-WIRE CABI; CORE/SVETA,PP	SA	1
2-2	DA97-11904B	3	RO200	DA96-00285M	ASSY W/HARNESS-CABI; CORE-PJT,SEMI LED CA	SA	1
3	DA90-03551N	2	RO313	DA67-02156C	CAP-CABI SIDE L; CORE,HIPS,-,-,-,INOX,-	SA	1
4	DA90-03551N	2	RO314	DA67-02157C	CAP-CABI SIDE R; CORE,HIPS,-,-,-,INOX,-	SA	1
5	DA90-03551N	2	RO366	DA63-05094A	COVER-PBA MAIN; SVETA-PJT,SGCC,T0.35	SA	1
6	DA97-07771M	3	RO191	DA61-05362B	CASE-PBA MAIN; SVETA-PJT,N-PP,NTR,V0	SA	1
7	DA90-03551N	2	RO040	DA97-03899B	ASSY HINGE-UPP; CORE,-,-,-,-,SEMI, INOX	SA	1
8	DA90-03551N	2	RO083	DA67-00195A	CAP-HINGE HOLE-MID; SR-32,35,PP,-,-,-,-	SA	1
9	DA90-03551N	2	RO039	DA97-03900C	ASSY HINGE-MID; SVETA-PJT,T4.0,Ni-Cr Plat	SA	1
10	DA97-03946F	3	RO100	DA61-00805F	FOOT-FRONT; REF-ALL,PP+MSWR10,BLACK,PP_S	SA	2
11	DA90-03551N	2	RO003	DA97-03955G	ASSY COVER-LEG FRONT; CORE-PJT,PP,-,-,-,-	SA	1
11-1	DA97-03955G	3	RO287	DA63-03031B	COVER LEG-FRONT; CORE-PJT,PP,-,-,-,-,SC	SA	1
11-2	DA97-03955G	3	RO085	DA67-01434B	CAP-HOLE HINGE LOW; CORE-PJT,PP,-,-,-,SC-	SA	1

No.	Parent	Lvl.	Loc.	Material Code	Description & Specification	SNA	Qty.
12	DA90-03476M	2	RO036	DA97-03947C	ASSY HINGE-LOW; CORE-PJT,T4.0,-,-,PAINTIN	SA	1
12-1	DA97-03947C	3	RO598	DA61-02753A	HINGE-LOW; CORE,SHP1,T4.0,-,-,-,BLACK	SA	1
12-2	DA97-03947C	3	RE470	DA61-02756B	GUIDE-AUTO CLOSE; CORE-PJT,PA66(Zytel 318	SA	1
13	DA90-03400B	2	RO002	DA97-03896A	ASSY CHASSIS-COMP; CORE-PJT,SBHG1,T1.0,-,	SA	1
13-1	DA97-03896A	3	RR242	DA61-40126B	CASTER-REAR; REF-ALL,PP,-,PI 44,NTR,W22,-	SC	2
14	DA90-03400B	2	RO354	DA34-10004A	RELAY PROTECTOR O/L; 4TM189PHBYY-53,ST 5.	SA	1
15	DA90-03400B	2	RH006	DA35-00099A	RELAY PTC; 330MD2(J535Q35E330M3852)	SA	1
16	DA90-03400B	2	RH092	DA63-05082A	COVER-RELAY COMP; SVETA-PJT,NORYL,T2.0,BL	SA	1
17	DA90-03400B	2	RX042	DA63-40171D	GROMMET-SUCT PIPE B; RAIL L20,NR,ID5.5,OD	SA	1
18	DA90-03400B	2	RO361	DA63-05124A	TRAY-DRAIN WATER; SVETA-PJT,SCP2,T0.5,BLA	SA	1
19	DA90-03400B	2	RR965	DA60-20008A	BOLT-HEX; S25C,M6,L42.6,WHITE,ZPC	SA	4
20	DA90-03400B	2	RH002	MSA4A1QL1B/E01	COMPRESSOR,RSCR,11.1CC,200-220V,STATIC COMPRESSOR,RSCR,11.1CC,200-220V,STATIC	SA	1
21	DA90-03400B	2	RH732	DA63-02017A	GROMMET COMP; QUEEN,EPDM,BLACK	SA	4
22	DA92-00123B	2	RO007	DA41-00657A	PCB MAIN; SVETA,FR-1,1,0,T1.6,163*197,-,2	SNA	1
23	DA92-00123B	2	RO066	DA26-00024B	TRANS POWER; DYT-00510,NW2,1mH,9Pins,115V	SNA	1
24	DA97-07771M	3	RO004	2501-001186	C-OIL; 5uF,400V,BK,43x55mm,15mm	SA	1

4. Door-LED SEMI

Exploded View



Parts List

No.	Parent	Lvl.	Loc.	Material Code	Description & Specification	SNA	Qty.
1	DA90-03551N	2	RO186	DA63-03045B	COVER-WIRE DOOR; CORE-PJT,ABS,-,-,-,-,S	SA	1
2	DA97-03899B	3	RO456	DA63-03030B	COVER-WIRE HINGE R; CORE-PJT,PP,-,-,-,-,-	SA	1
3	DA97-03979U	5	RE121	DA67-01437B	CAP-SPACE DOOR; CORE-PJT,HIPS,-,-,-,SC-06	SA	1
4	DA97-04412C	5	RO116	DA63-03046A	GROMMET-HINGE; CORE PJT,NY-6,-,-,L16,ID6,	SA	1
5	DA90-03559L	2	RE001	DA91-02329D	ASSY DOOR FOAM REF; RL38,TITANIC BLACK,-,	SA	1
6	DA97-03981B	5	RE440	DA61-02773B	STOPPER-DOOR; CORE-PJT,POM(DE8903),-,-,-,	SA	1
7	DA90-03781A	2	RO515	DA67-01612B	CAP-HINGE HOLE; CORE-PJT,PP,-,-,-,INOX,-	SA	1
8	DA90-03781A	2	RD001	DA91-02325G	ASSY DOOR FOAM FRE; RL38,TITANIC BLACK,-,	SA	1
9	DA90-03559L	2	RR238	DA97-07366V	ASSY-GASKET DOOR REF; CORE-PJT RL38,SC-97	SA	1
10	DA90-03781A	2	RU513	DA97-07366J	ASSY-GASKET DOOR FRE; SVETA-PJT,SC-97487,	SA	1
11	DA90-03409B	2	RE028	DA97-03880B	ASSY GUARD-DAIRY; CORE,ASSY,HIPS,GPPS	SA	1
12	DA90-03409B	2	RE373	DA63-03034B	GUARD-VARIETY; CORE-PJT,GPPS,T2.5,-,-,-,N	SA	2
13	DA90-03409B	2	RE343	DA63-03033B	GUARD-BOTTLE; CORE-PJT,GPPS,T2.5,-,-,-,NO	SA	1