

**White Knight**

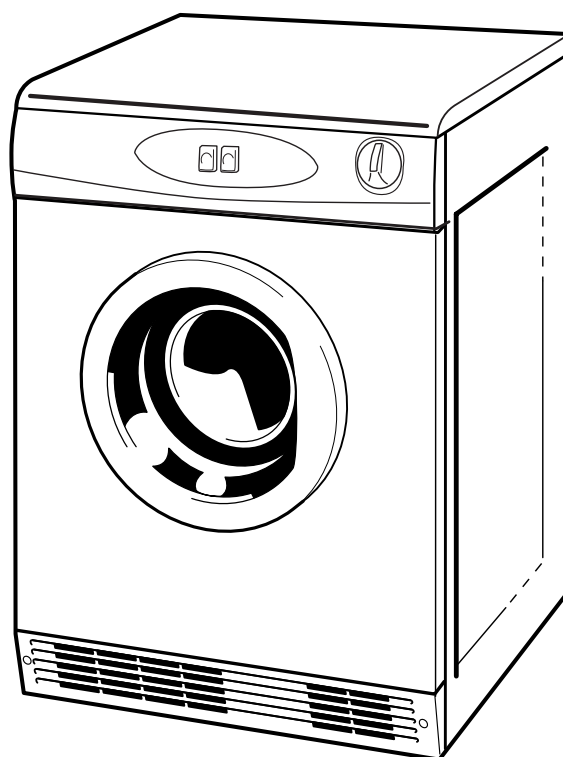


# SERVICE MANUAL

**Air Vented Tumble Dryer - UK**

**White Knight**

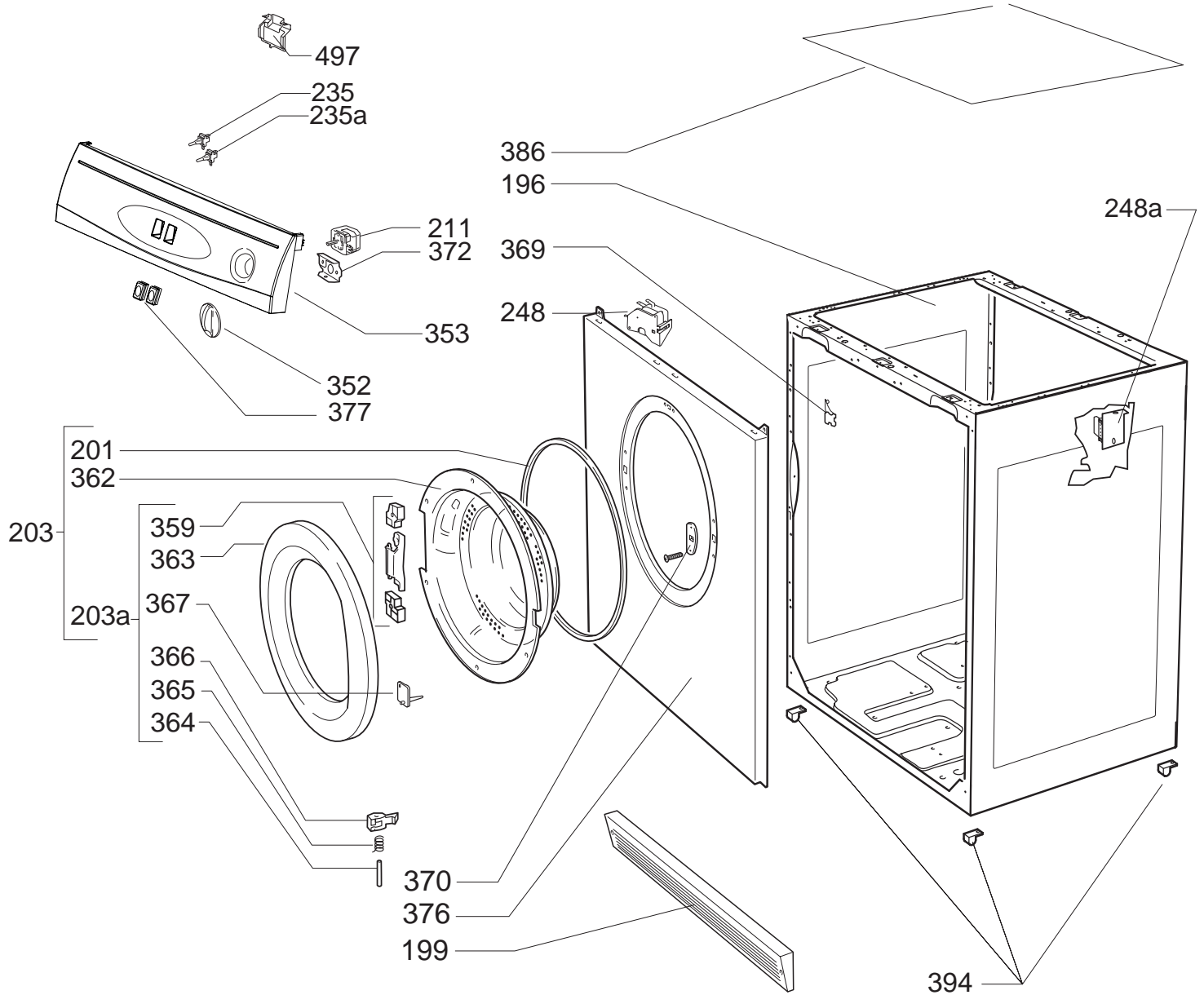
**0312 44A 15006- C44AW**



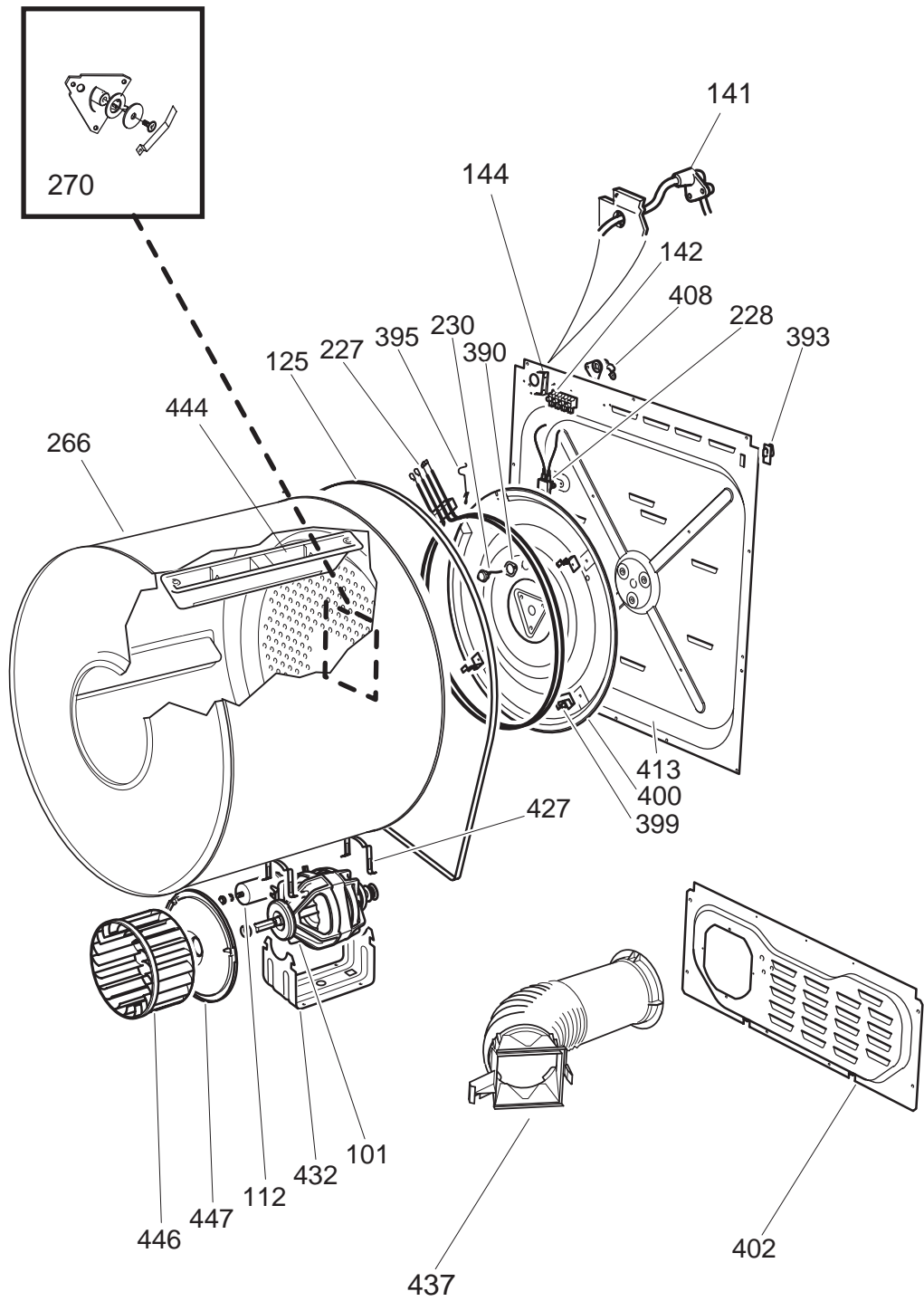
Wiring Diagram  
Exploded Views  
Parts List

July 2015

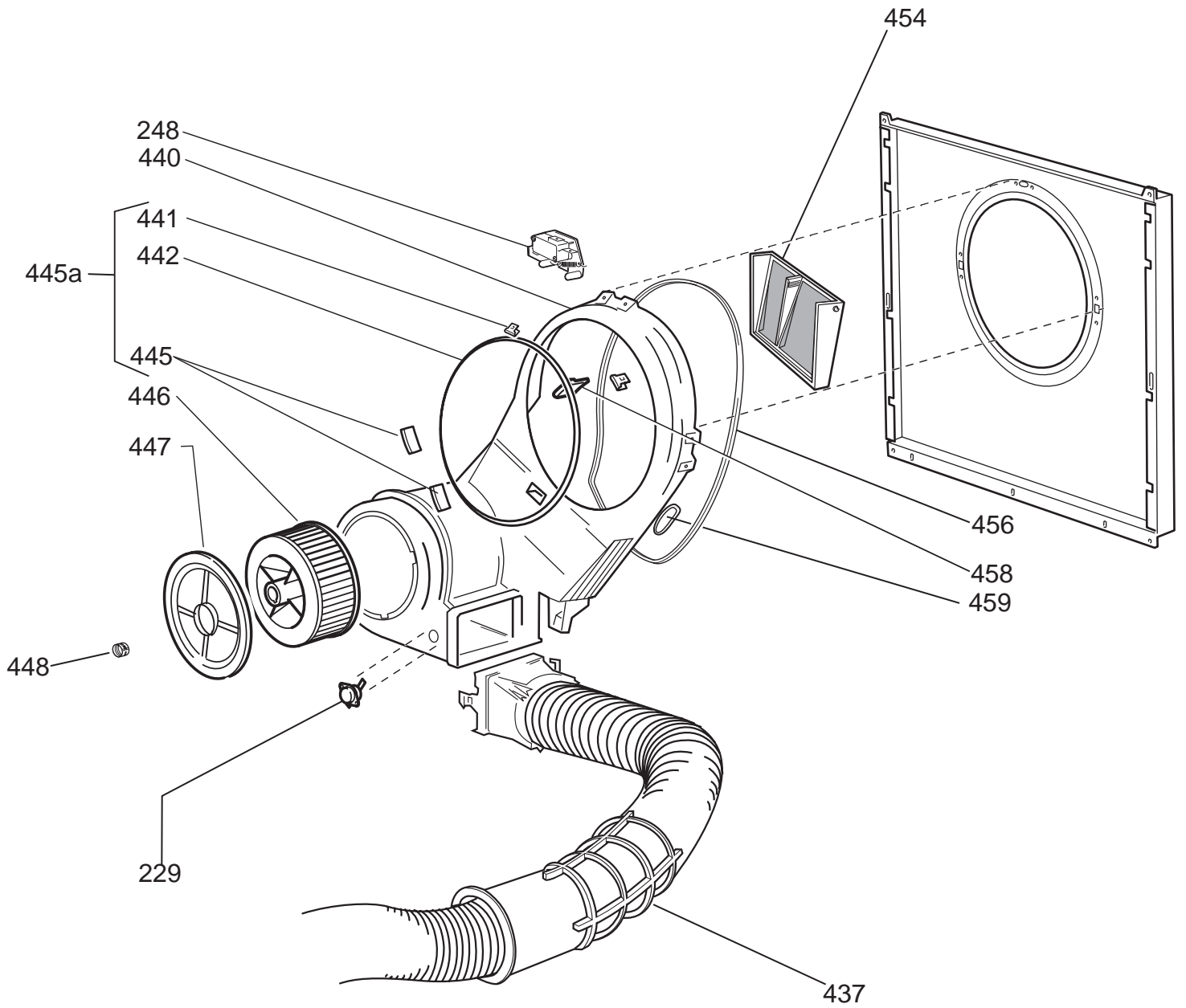
# White Knight Air Vented Tumble Dryer - Exploded View 1



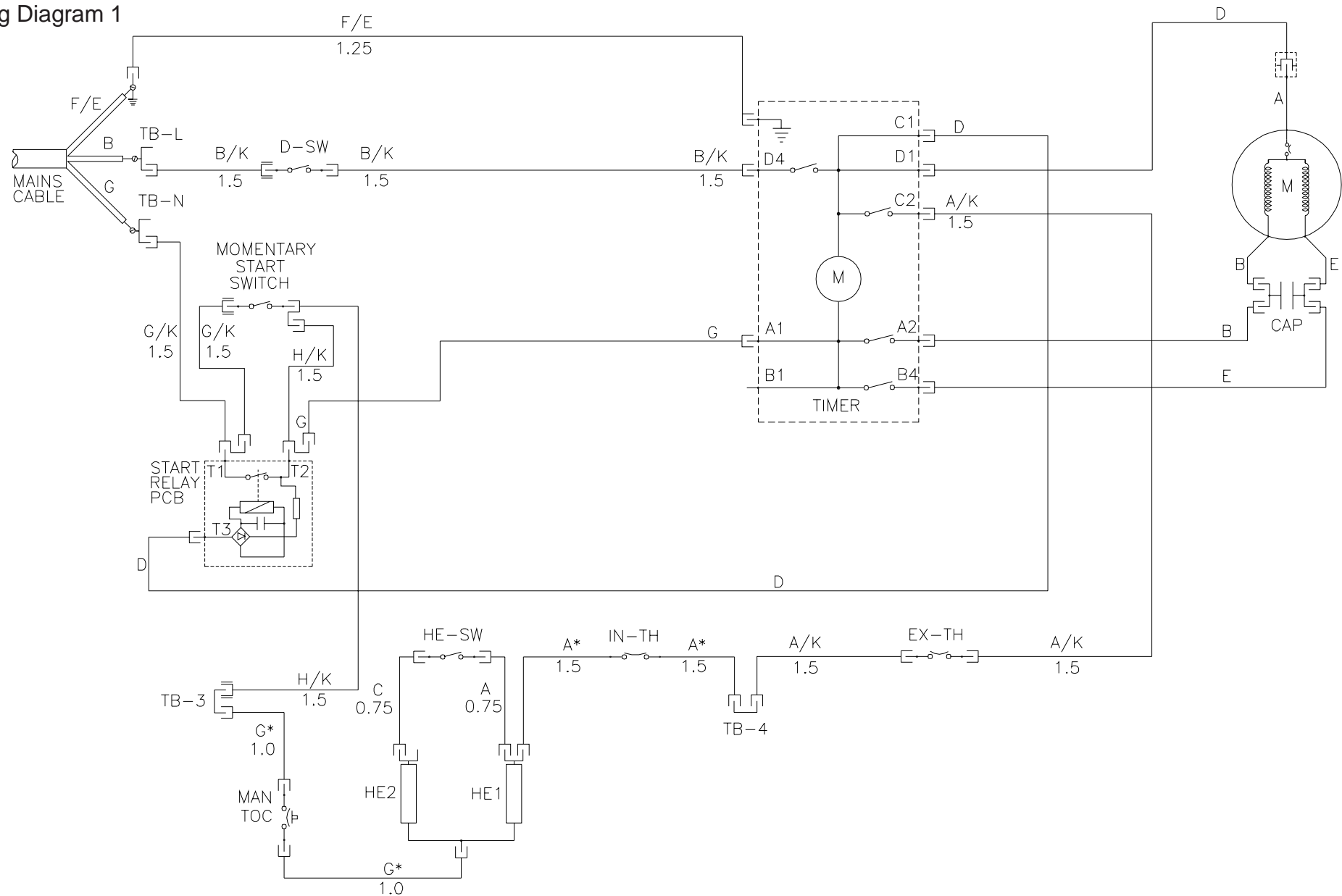
# White Knight Air Vented Tumble Dryer - Exploded View 2



# White Knight - Air Vented Tumble Dryer - Exploded View 3



# Wiring Diagram 1



## NOTES

1. ALL INTERNAL WIRING TO BE 0.5MM SQUARED, MULTI-STRAND, PVC INSULATED COPPER WIRE, UNLESS INDICATED OTHERWISE
2. WIRES MARKED THUS \* TO BE SILICONE RUBBER INSULATED.

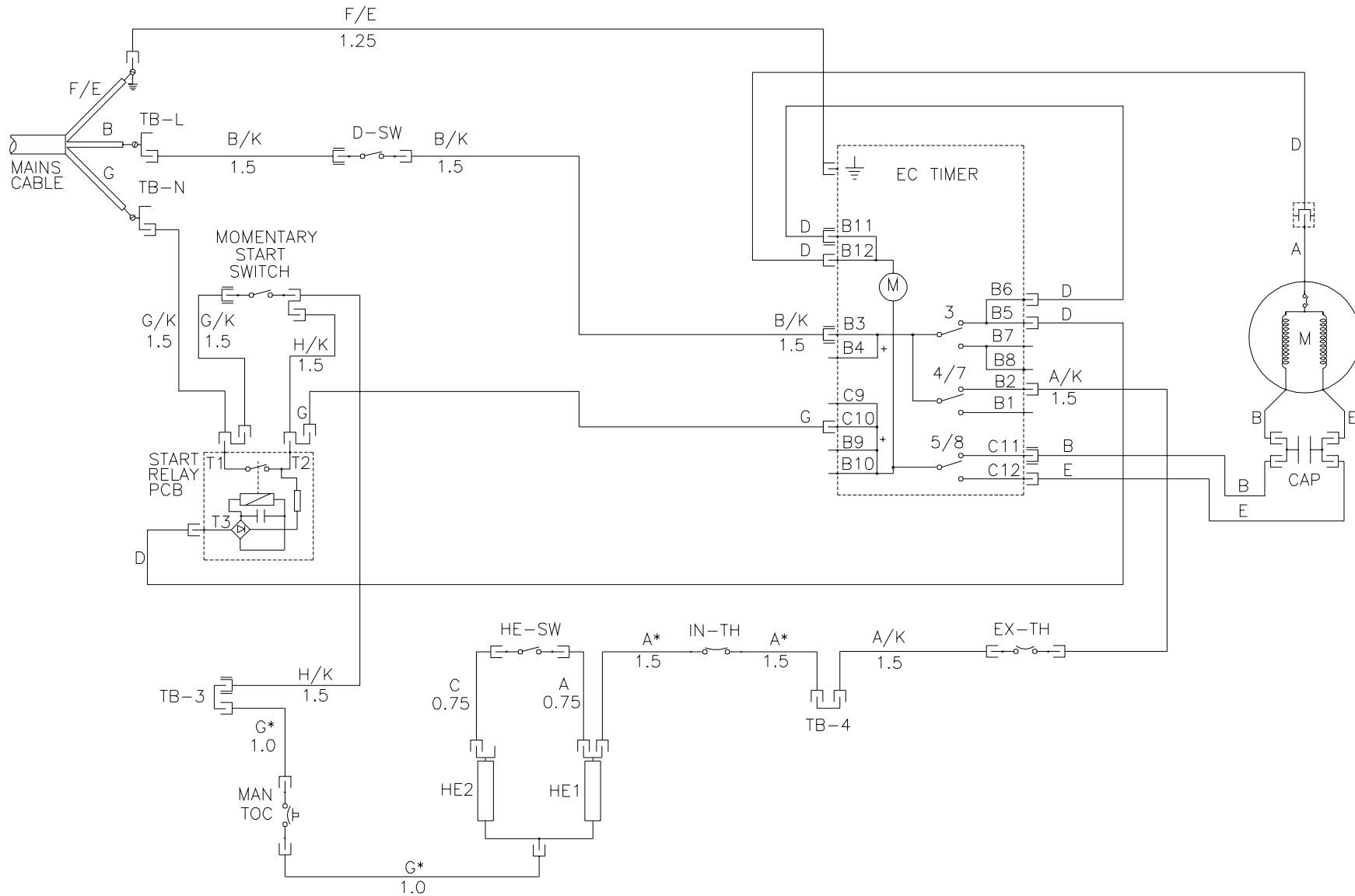
## WIRE COLOUR CODE

A - BLACK  
 B - BROWN  
 C - RED  
 D - ORANGE  
 E - YELLOW  
 F - GREEN  
 G - BLUE  
 H - VIOLET  
 K - WHITE  
 N/A - PINK

## COMPONENT CODE

TB - TERMINAL BLOCK  
 D-SW - DOOR SWITCH  
 M - MOTOR  
 EX-TH - EXHAUST THERMOSTAT  
 IN-TH - INLET THERMOSTAT  
 HE - HEATER  
 HE-SW - HEAT SWITCH  
 MAN TOC - MANUAL RESET HEATER CUT-OUT  
 CAP - CAPACITOR

# Wiring Diagram 2 - 0312 44A 15006/24



## NOTES

1. ALL INTERNAL WIRING TO BE 0.5MM SQUARED, MULTI-STRAND, PVC INSULATED COPPER WIRE, UNLESS INDICATED OTHERWISE
2. WIRES MARKED THUS \* TO BE SILICONE RUBBER INSULATED.
3. LINKS ON TIMER MARKED THUS + ARE 6 AMP RATED ONLY.

## WIRE COLOUR CODE

- A - BLACK
- B - BROWN
- C - RED
- D - ORANGE
- E - YELLOW
- F - GREEN
- G - BLUE
- H - VIOLET
- K - WHITE
- N/A - PINK

## COMPONENT CODE

- TB - TERMINAL BLOCK
- D-SW - DOOR SWITCH
- M - MOTOR
- EX-TH - EXHAUST THERMOSTAT
- IN-TH - INLET THERMOSTAT
- HE - HEATER
- HE-SW - HEAT SWITCH
- MAN TOC - MANUAL RESET HEATER CUT-OUT
- CAP - CAPACITOR

White Knight AIR VENTED TUMBLE DRYER - SPARE PARTS LIST

ITEM	DESCRIPTION	CODE
101	Motor & 8uf Capacitor Assembly	4213 092 25611
112	8uf Capacitor	4213 092 08091
125	Drive Belt	4213 092 18601
141	Mains Cable & Plug	4213 076 35123
142	Terminal Block	4213 078 44613
144	Earth Tab Assembly	4213 092 41181
196	Cabinet Assembly	4213 092 43481
199	Plinth Assembly	4213 092 43491
201	Door Seal	4213 077 08344
203	Complete Door Assembly	4213 092 45611
203a	Door Frame Assembly	4213 092 45621
<b>211</b>	<b>Timer T600 - Fitted to machines other than below - Refer Wiring Diagram 1</b>	<b>4213 078 57541</b>
<b>211</b>	<b>Timer Assembly - Serial Range 1320123768 - 1320123867 &amp; 1320123988 - 1320124787 Only - Refer to Wiring Diagram 1</b>	<b>4213 092 52561</b>
<b>211</b>	<b>Timer (EC4817.02B)/24 - Identified by /24 after the product code on the rating or serial plate - Refer to Wiring Diagram 2</b>	<b>4213 078 55142</b>
227	Heating Element	4213 092 05521
228	Heat TOC	4213 078 50161
229	Thermostat	4213 078 48373
230	Thermostat (inlet)	4213 078 56261
235	Heat Switch	4213 078 52401
235a	Start Switch	4213 078 52762
248	Microswitch/Bracket Assembly	4213 092 05251
248a	Door Interlock Relay Board	4213 092 51871
266	Drum Assembly	4213 092 05531
270	Drum Shaft/Bearing Kit	4213 092 05591
352	Timer Knob Assembly	4213 092 45741
<b>353</b>	<b>Control Panel Assembly - On All machines other than below</b>	<b>4213 092 58981</b>
<b>353</b>	<b>Control Panel Assembly - Identified by /24 after the product code on the rating and serial plate</b>	<b>4213 092 63861</b>
359	Door Hinge Assembly	4213 092 26071
362	Window	4213 077 44095
363	Door Frame	4213 092 45671
364	Latch Pivot	4213 075 13013
365	Latch Spring	4213 075 70833
366	Door Latch	4213 077 53413
367	Switch Strike	4213 077 83571
369	Loom Clip	4213 075 70941
370	Latch Guide	4213 077 40992
372	Timer Bracket	4213 070 10934
376	Front Panel	4213 092 45681
377	Buttons Assembly	4213 092 45781
386	Top Cover	4213 092 46211
390	Gasket	4213 074 50862
393	Flex Support Clip	4213 077 40982
394	Foot	4213 077 39833

White Knight AIR VENTED TUMBLE DRYER - SPARE PARTS LIST

395	Heater Wires Clip	4213 075 70971
399	Heater Support	4213 080 06619
400	Heater Plate	4213 080 14551
402	Access Panel	4213 080 06559
408	Cable Clamp	4213 077 47304
413	Back Panel	4213 092 37601
427	Motor Spring Clip	4213 078 45362
432	Motor Mount Bracket	4213 080 0675A
437	Rear Vent Assembly	0312 002 01000
440	Banjo Assembly	4213 092 17811
441	Front Bearing (short)	4213 077 40952
442	Front Seal	4213 077 40942
444	Lifter	4213 077 41009
445	Front Bearing (long)	4213 077 40962
445a	Bearing & Seal Kit Assy	4213 092 21171
446	Fan	4213 077 40896
447	Access Cover Assembly	4213 092 18081
448	Spring Clip (Fan)	4213 075 71162
454	Filter	4213 092 17821
456	Banjo Seal	4213 077 07991
458	Banjo Insert No 2	4213 077 53502
459	Banjo Insert No 1	4213 077 53492
497	Switch Cover	4213 177 01141

NOT SHOWN ON EXPLODED VIEW	
INSTRUCTION BOOK	4213 194 12652