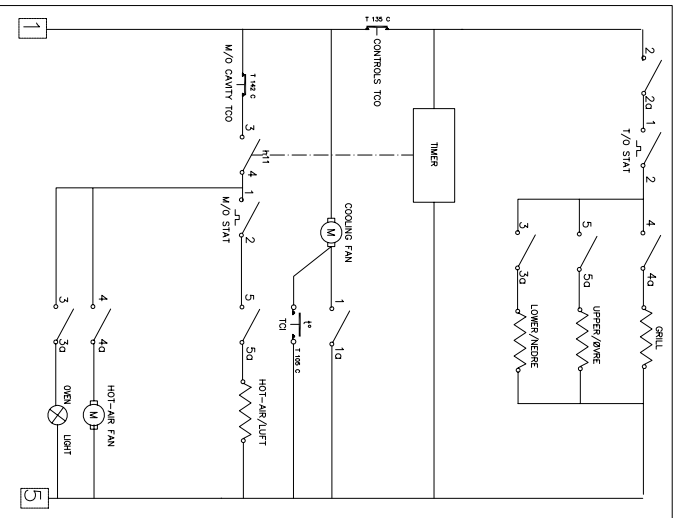
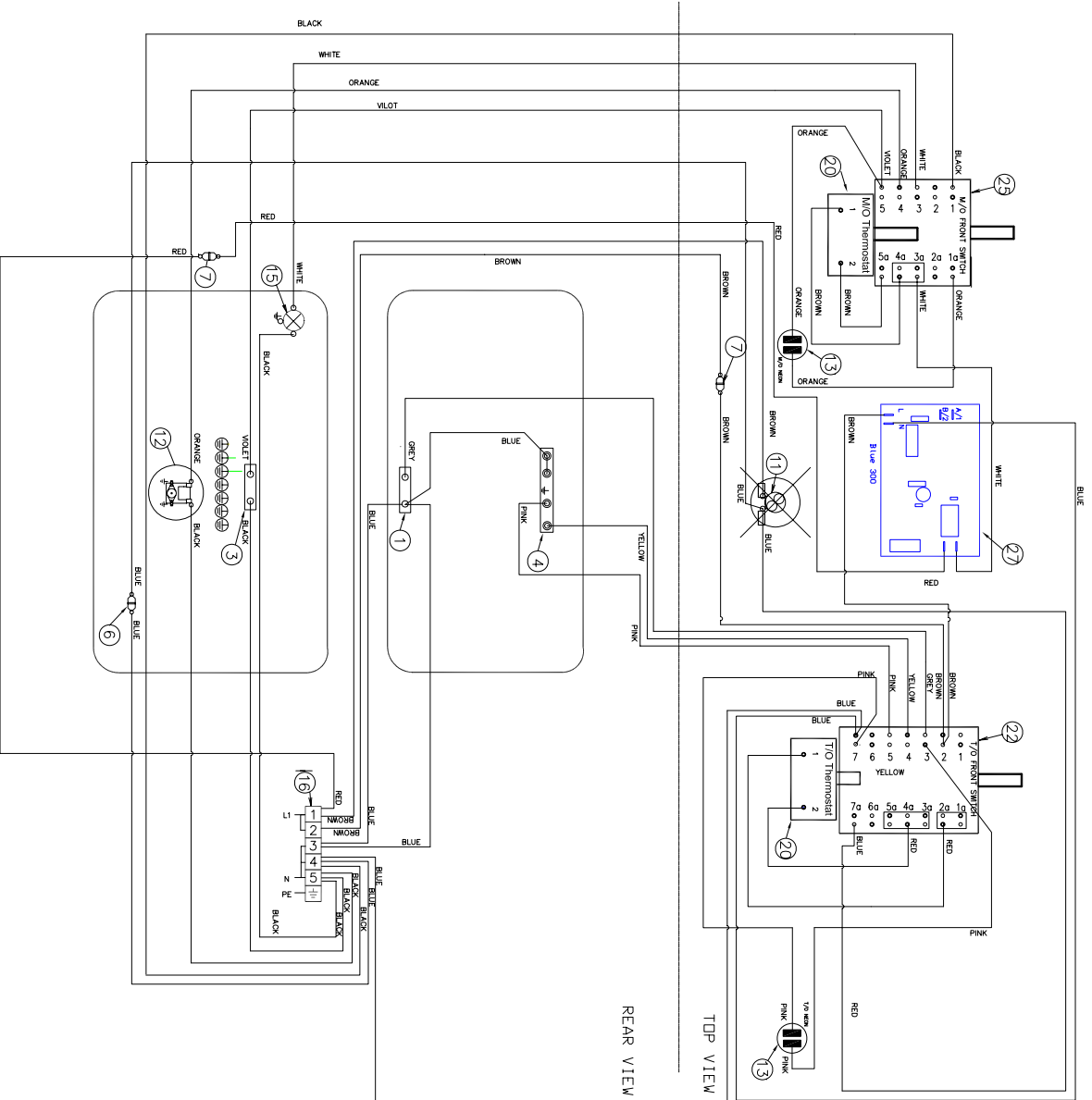


SE558/1,ZKC5540, ZKC6020

This drawing contains confidential information and is the property of Electrolux, without whose permission it may not be copied, shown or handed to a third party or otherwise used and it is to be returned promptly upon request to the design owner, who is responsible for the drawing.



Items shown in this drawing must not contain substances that are banned according to Directive, 2002/95/EC, the RoHS Directive (Lead, Cadmium, Mercury, hexavalent Chromium, PBB and PBDE), or substances classified as "Banned" or "Restricted" according to the Electrolux Restricted Materials List.

GENERAL TOLERANCES	A2
ANGLES	[0/33]
LENGTHS AND DIAMETERS	12

VALANT NUMBER	8	7	6	5	4	3	2	1
EXPANDED NUMBER								
POS.								
MODEL								
DISCRIPTIONS								
QUANTITY FROM THE BASE NUMBER								

27	1	SET TIMER
28	1	TOP MAIN LAMP
29	1	TOP FRONT SWITCH
30	1	TOP THERMOSTAT
31	1	FUNCTION SWITCH / THERMOSTAT 2 Poles
32	1	FUNCTION SWITCH / OVERHEAT PROTECTOR
33	1	FUNCTION SWITCH / OVERHEAT PROTECTOR
34	1	FUNCTION SWITCH / OVERHEAT PROTECTOR
35	1	FUNCTION SWITCH / OVERHEAT PROTECTOR
36	1	FUNCTION SWITCH / OVERHEAT PROTECTOR
37	1	FUNCTION SWITCH / OVERHEAT PROTECTOR
38	1	FUNCTION SWITCH / OVERHEAT PROTECTOR
39	1	FUNCTION SWITCH / OVERHEAT PROTECTOR
40	1	FUNCTION SWITCH / OVERHEAT PROTECTOR
41	1	FUNCTION SWITCH / OVERHEAT PROTECTOR
42	1	FUNCTION SWITCH / OVERHEAT PROTECTOR
43	1	FUNCTION SWITCH / OVERHEAT PROTECTOR
44	1	FUNCTION SWITCH / OVERHEAT PROTECTOR
45	1	FUNCTION SWITCH / OVERHEAT PROTECTOR
46	1	FUNCTION SWITCH / OVERHEAT PROTECTOR
47	1	FUNCTION SWITCH / OVERHEAT PROTECTOR
48	1	FUNCTION SWITCH / OVERHEAT PROTECTOR
49	1	FUNCTION SWITCH / OVERHEAT PROTECTOR
50	1	FUNCTION SWITCH / OVERHEAT PROTECTOR
51	1	FUNCTION SWITCH / OVERHEAT PROTECTOR
52	1	FUNCTION SWITCH / OVERHEAT PROTECTOR
53	1	FUNCTION SWITCH / OVERHEAT PROTECTOR
54	1	FUNCTION SWITCH / OVERHEAT PROTECTOR
55	1	FUNCTION SWITCH / OVERHEAT PROTECTOR
56	1	FUNCTION SWITCH / OVERHEAT PROTECTOR
57	1	FUNCTION SWITCH / OVERHEAT PROTECTOR
58	1	FUNCTION SWITCH / OVERHEAT PROTECTOR
59	1	FUNCTION SWITCH / OVERHEAT PROTECTOR
60	1	FUNCTION SWITCH / OVERHEAT PROTECTOR
61	1	FUNCTION SWITCH / OVERHEAT PROTECTOR
62	1	FUNCTION SWITCH / OVERHEAT PROTECTOR
63	1	FUNCTION SWITCH / OVERHEAT PROTECTOR
64	1	FUNCTION SWITCH / OVERHEAT PROTECTOR
65	1	FUNCTION SWITCH / OVERHEAT PROTECTOR
66	1	FUNCTION SWITCH / OVERHEAT PROTECTOR
67	1	FUNCTION SWITCH / OVERHEAT PROTECTOR
68	1	FUNCTION SWITCH / OVERHEAT PROTECTOR
69	1	FUNCTION SWITCH / OVERHEAT PROTECTOR
70	1	FUNCTION SWITCH / OVERHEAT PROTECTOR
71	1	FUNCTION SWITCH / OVERHEAT PROTECTOR
72	1	FUNCTION SWITCH / OVERHEAT PROTECTOR
73	1	FUNCTION SWITCH / OVERHEAT PROTECTOR
74	1	FUNCTION SWITCH / OVERHEAT PROTECTOR
75	1	FUNCTION SWITCH / OVERHEAT PROTECTOR
76	1	FUNCTION SWITCH / OVERHEAT PROTECTOR
77	1	FUNCTION SWITCH / OVERHEAT PROTECTOR
78	1	FUNCTION SWITCH / OVERHEAT PROTECTOR
79	1	FUNCTION SWITCH / OVERHEAT PROTECTOR
80	1	FUNCTION SWITCH / OVERHEAT PROTECTOR
81	1	FUNCTION SWITCH / OVERHEAT PROTECTOR
82	1	FUNCTION SWITCH / OVERHEAT PROTECTOR
83	1	FUNCTION SWITCH / OVERHEAT PROTECTOR
84	1	FUNCTION SWITCH / OVERHEAT PROTECTOR
85	1	FUNCTION SWITCH / OVERHEAT PROTECTOR
86	1	FUNCTION SWITCH / OVERHEAT PROTECTOR
87	1	FUNCTION SWITCH / OVERHEAT PROTECTOR
88	1	FUNCTION SWITCH / OVERHEAT PROTECTOR
89	1	FUNCTION SWITCH / OVERHEAT PROTECTOR
90	1	FUNCTION SWITCH / OVERHEAT PROTECTOR
91	1	FUNCTION SWITCH / OVERHEAT PROTECTOR
92	1	FUNCTION SWITCH / OVERHEAT PROTECTOR
93	1	FUNCTION SWITCH / OVERHEAT PROTECTOR
94	1	FUNCTION SWITCH / OVERHEAT PROTECTOR
95	1	FUNCTION SWITCH / OVERHEAT PROTECTOR
96	1	FUNCTION SWITCH / OVERHEAT PROTECTOR
97	1	FUNCTION SWITCH / OVERHEAT PROTECTOR
98	1	FUNCTION SWITCH / OVERHEAT PROTECTOR
99	1	FUNCTION SWITCH / OVERHEAT PROTECTOR
100	1	FUNCTION SWITCH / OVERHEAT PROTECTOR

Electrolux

MODEL: M2 T03S / M03
 TITLE: wiring connection + schematic
 NUMBER: 349 1552 01

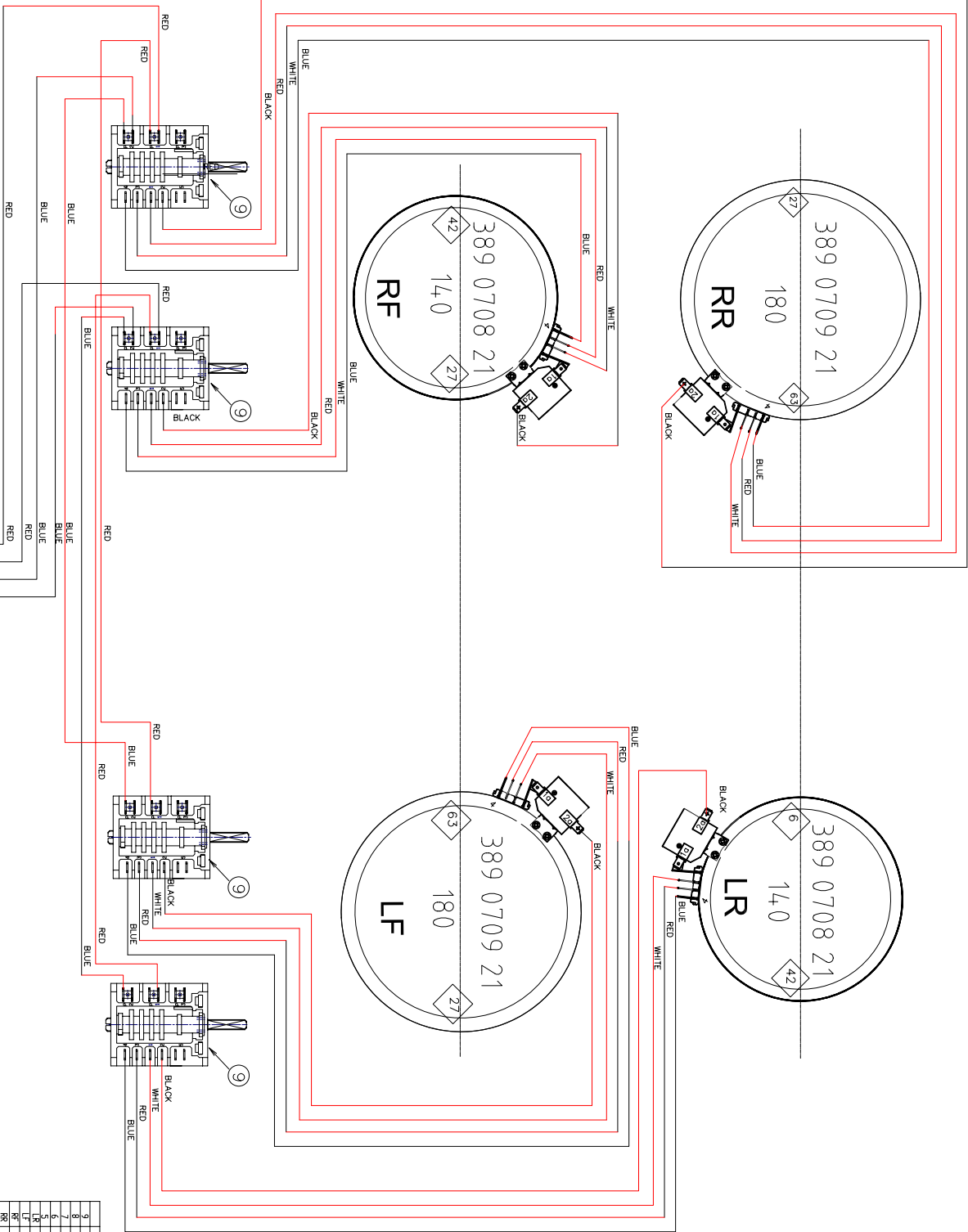
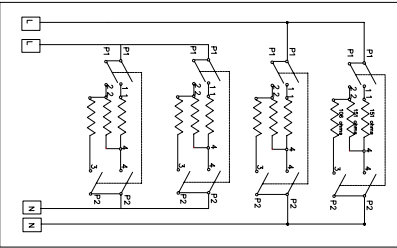
DATE: 14/11/06
 DRAWN BY: K. BLACKETT
 CHECKED BY: K. BLACKETT

This drawing contains confidential information and is the property of Electrolux, without whose permission it may not be copied, shown or handed to a third party or otherwise used and it is to be returned promptly upon request to the design owner, who is responsible for the drawing.

Items shown in this drawing must not contain substances that are banned according to Directive, 2002/95/EC, the RoHS Directive (Lead, Cadmium, Mercury, hexavalent Chromium, PBB and PBDE), or substances classified as "Banned" or "Restricted" according to the Electrolux Restricted Materials List.

SAFETY RISKS

GENERAL TOLERANCES
ANGLES
LENGTHS AND DIAMETERS



SEE OVEN DIAGRAM

9	4	SEVEN STEP SWITCH
8	0	INDICATING LAMP COILS
7	0	ENERG. REG. DOUBLE ZONE 240V
6	0	ENERG. REG. SINGLE ZONE 240V
5	0	RESISTOR/HEAT INDICATOR
4	0	RESISTOR/HEAT INDICATOR
3	0	COIL HEATER/ZONE 180 1200W 240V
2	1	COIL HEATER/ZONE 180 1200W 240V
1	0	COIL HEATER/ZONE 180 1200W 240V

COMPONENT LIST

POS.	INDICATIONS	MODEL	SCALE	REQUEST	DATE
POS.	INDICATIONS	MODEL	SCALE	REQUEST	DATE

DESIGN OWNER	DATE	DESIGN OWNER	DATE
DATE	DATE	DATE	DATE
<p>Electrolux</p>			
<p>HOB SCHEMATIC SEVEN STEP SWITCH</p>			
<p>349 T1550 01</p>			

HOE NUMBER	XX	XX
HOLES FOR HOPLATES/CROSSBAR		
HOLES FOR RESIDUAL HEAT INDICATOR	YY	YY

VARIANT NUMBER	REFLECTOR NUMBER	POS.	MODEL	DESIGN USER	CHANGES FROM THE LAST NUMBER

12	11	10	9	8	7	6	5	4	3	2	1
----	----	----	---	---	---	---	---	---	---	---	---

This drawing contains confidential information and is the property of Electrolux, without whose permission it may not be copied, shown or handed to a third party or otherwise used and it is to be returned promptly upon request to the design owner, who is responsible for the drawing.

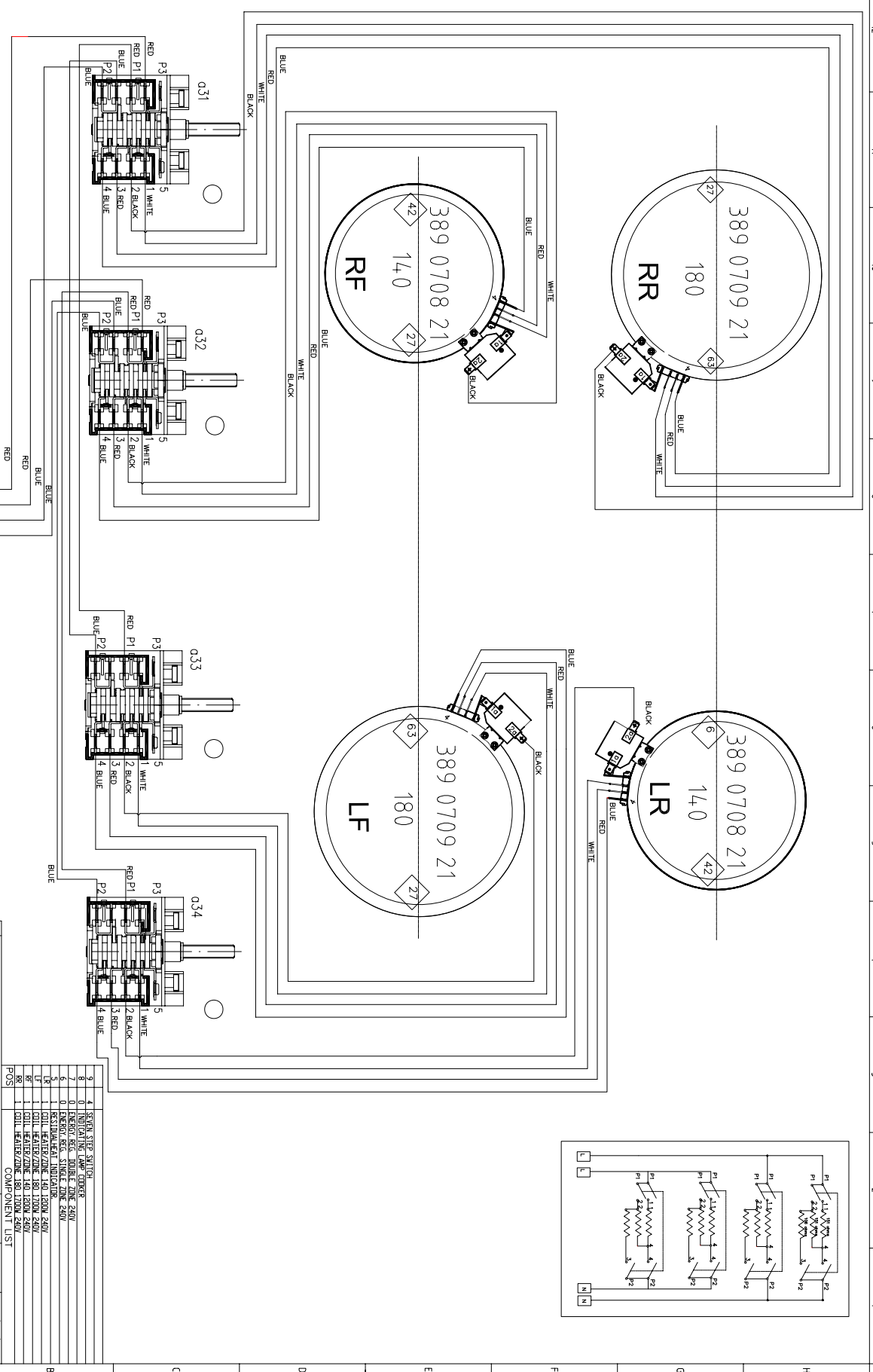
Items shown in this drawing must not contain substances that are banned according to Directive, 2002/95/EC, the RoHS Directive (Lead, Cadmium, Mercury, hexavalent Chromium, PBB and PBDE), or substances classified as "Banned" or "Restricted" according to the Electrolux Restricted Materials List.

GENERAL TOLERANCES	AZ
ANGLES	(DIN 93)
LENGTHS AND DIAMETERS	

HOLE NUMBER	XX
Mounting holes for hotplates/crossbar	
Mounting holes for residual-current indicator	YY

SEE OVEN DIAGRAM

VARIANT NUMBER	8
REPLACED NUMBER	
POS.	7
MODEL	
DESIGN LIST	6
CHANGES FROM THE LAST NUMBER	5
	4
	3
	2
	1



A | DRAWING RELEASE

DESIGN OWNER	DATE	REV.	BY
DATE	DATE		
COMP. ID.	COMP. NO.		
COMP. NO.	COMP. NO.		

TREATMENT	REPLACES	REVISION	DATE

MODEL	SCALE	REVISION	DATE

COMPONENT LIST	COMPONENT LIST
1	1
2	2
3	3
4	4
5	5
6	6
7	7
8	8
9	9
10	10
11	11
12	12
13	13
14	14
15	15
16	16
17	17
18	18
19	19
20	20
21	21
22	22
23	23
24	24
25	25
26	26
27	27
28	28
29	29
30	30
31	31
32	32
33	33
34	34
35	35
36	36
37	37
38	38
39	39
40	40
41	41
42	42
43	43
44	44
45	45
46	46
47	47
48	48
49	49
50	50
51	51
52	52
53	53
54	54
55	55
56	56
57	57
58	58
59	59
60	60
61	61
62	62
63	63
64	64
65	65
66	66
67	67
68	68
69	69
70	70
71	71
72	72
73	73
74	74
75	75
76	76
77	77
78	78
79	79
80	80
81	81
82	82
83	83
84	84
85	85
86	86
87	87
88	88
89	89
90	90
91	91
92	92
93	93
94	94
95	95
96	96
97	97
98	98
99	99
100	100

Electrolux

HOB SCHEMATIC
SIX HEAT SWITCH DREEIFS

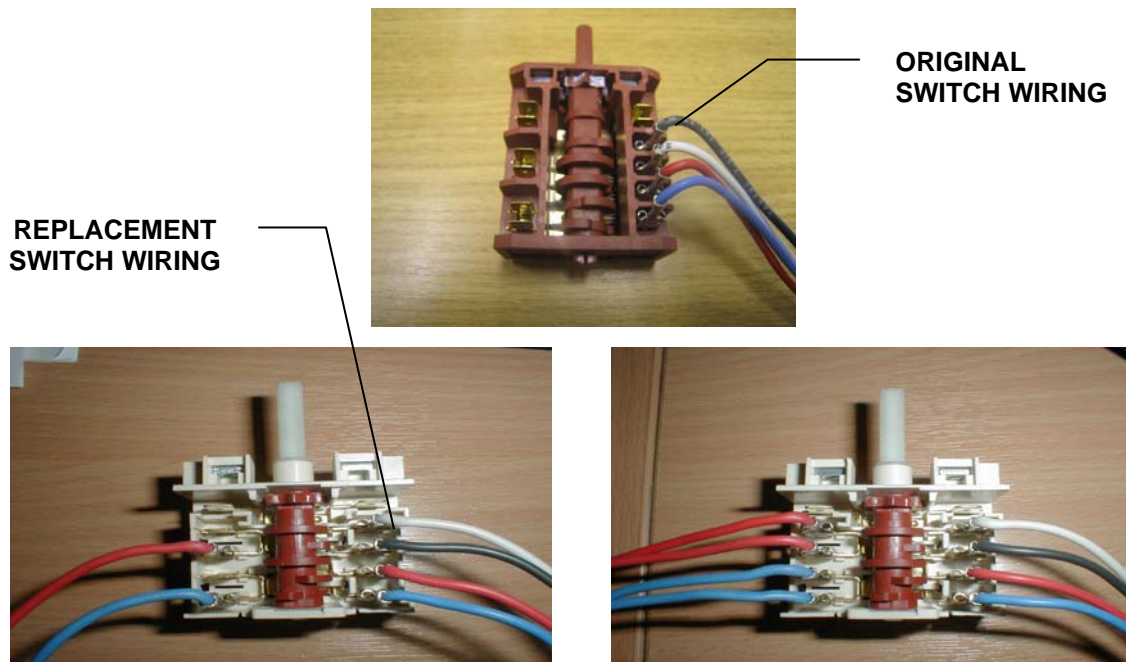
349 1633 01

Subject: ALTERNATIVE MAKE OF SELECTOR SWITCH**Brand:** Tricity Bendix, Zanussi, Electrolux, Zanussi-Electrolux**Models:**

SE305, SE310, SE323, SE326, CSE327, SE335, SE340,
SE402, SE424, SE428, CSE452, SE452, SB463,
CSE500, SE500/1, SE501, SE501/1, SE505, SE550, CSE551, SE551,
SE553, SE558, SE558/1, CSE560,
DDO61CE, EK5361, EKC5044, EKC5045,
ZCE5000, ZCE5001, ZCE5200, ZCE7610
ZKC5030, ZKC5540, ZKC6010, ZKC6020

An alternative make of selector switch (Dreefs) part no. 3890832011 is now available for the models listed above.

This new selector switch has been fitted to all products from serial no. 7170001. Please note when replacing the original switch with the new alternative switch, the connections remain in the same position with the exception of the white and black wires, which are reversed as shown in the two example illustrations below:



Failure to reverse the black and white wire connections will result in the hotplate not regulating correctly.