

Product Nr 944 25 02-35
Model EOB976X1
Brand ELECTROLUX
Date(Y/W) 9813
Factory RS
Market GB

Edition number 1

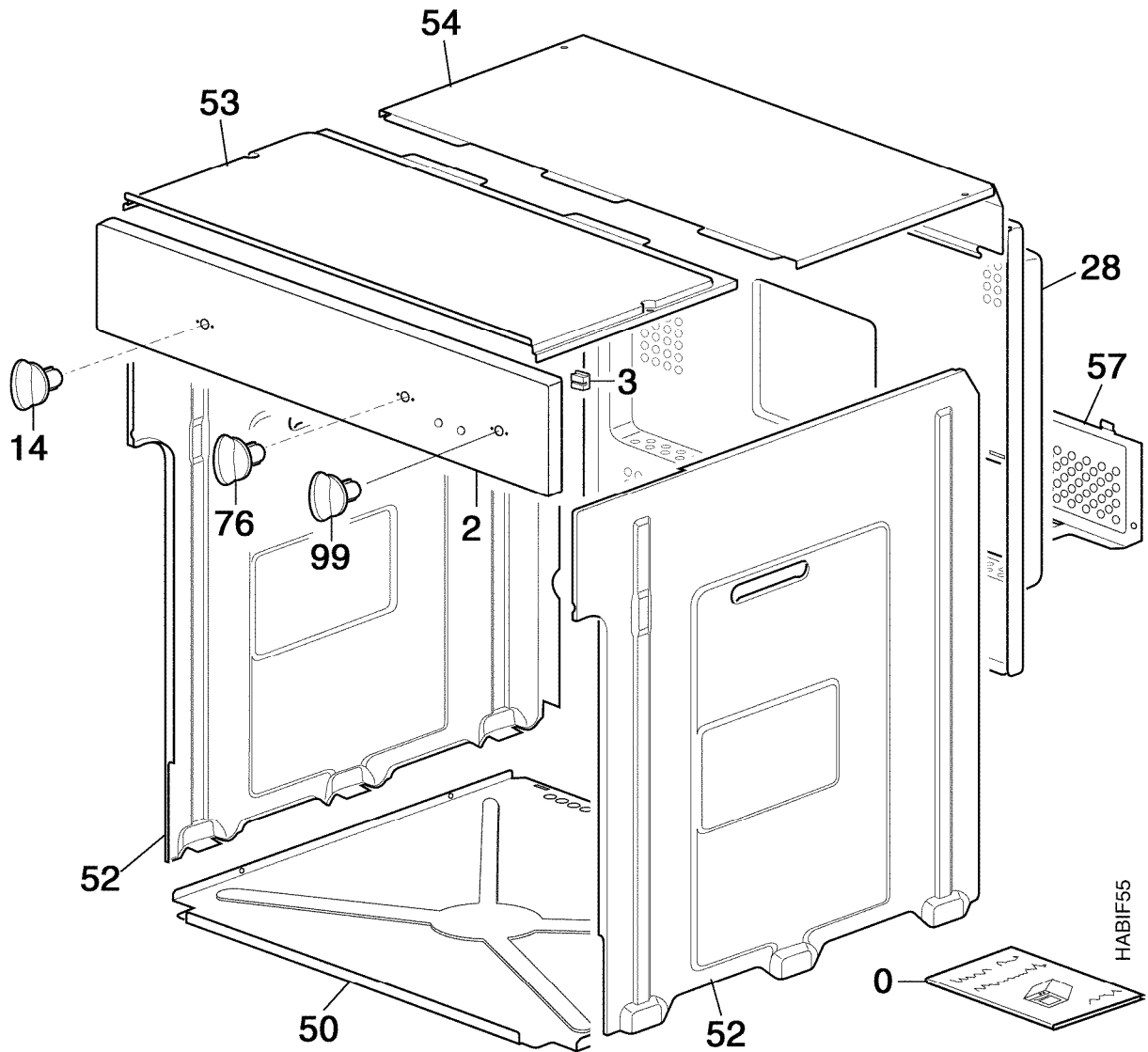
EOB976X1

Publication Nr

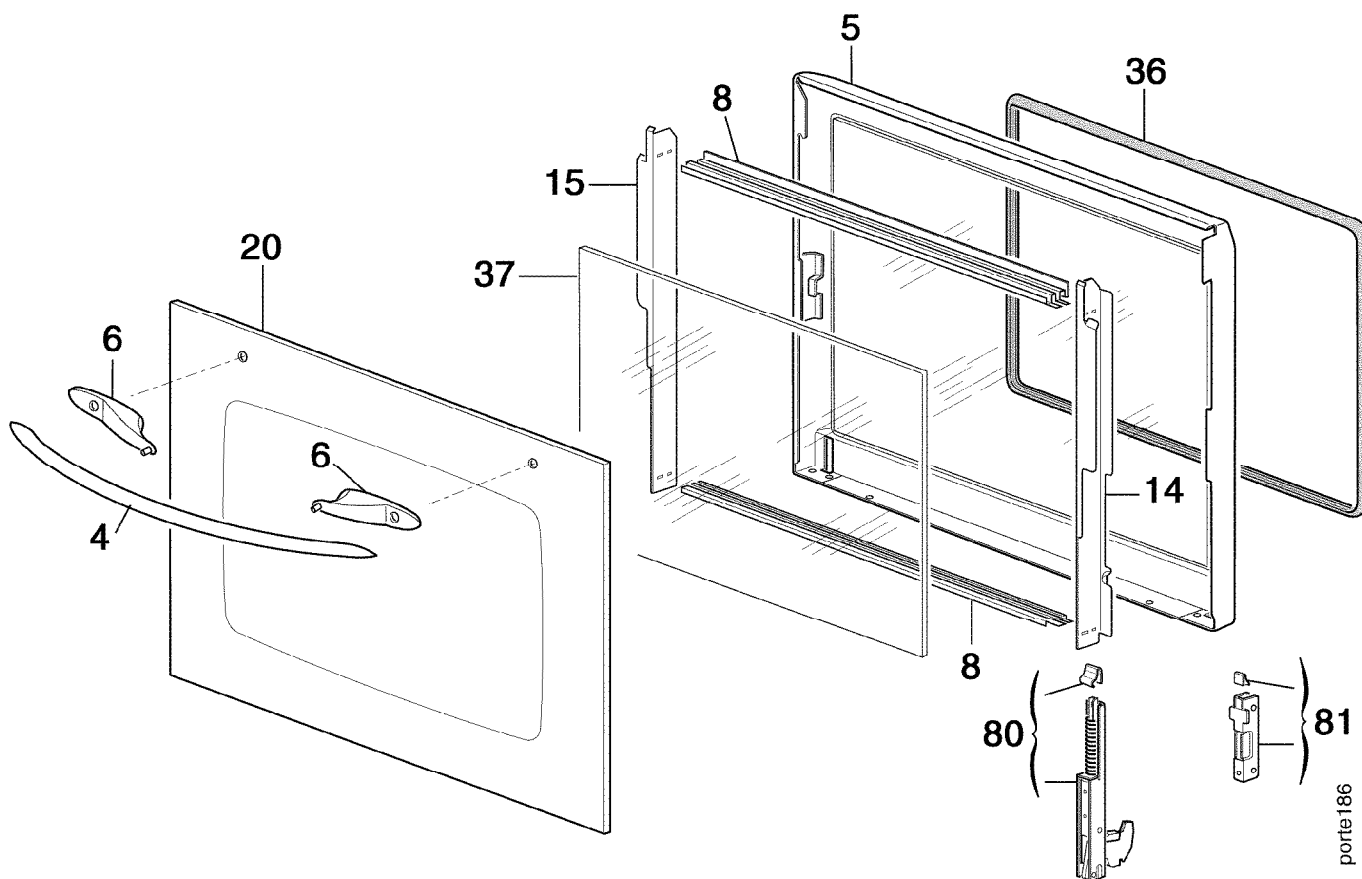
599 40 18-48/8

17/03/98

DISTRIPARTS FRANCE
S.N.C. au capital de 1.000.000 Frs
Locataire Gérant - R.C.S Senlis B 340 042 779
SIEGE SOCIAL : 43, Av Félix Louat - 60300 SENLIS

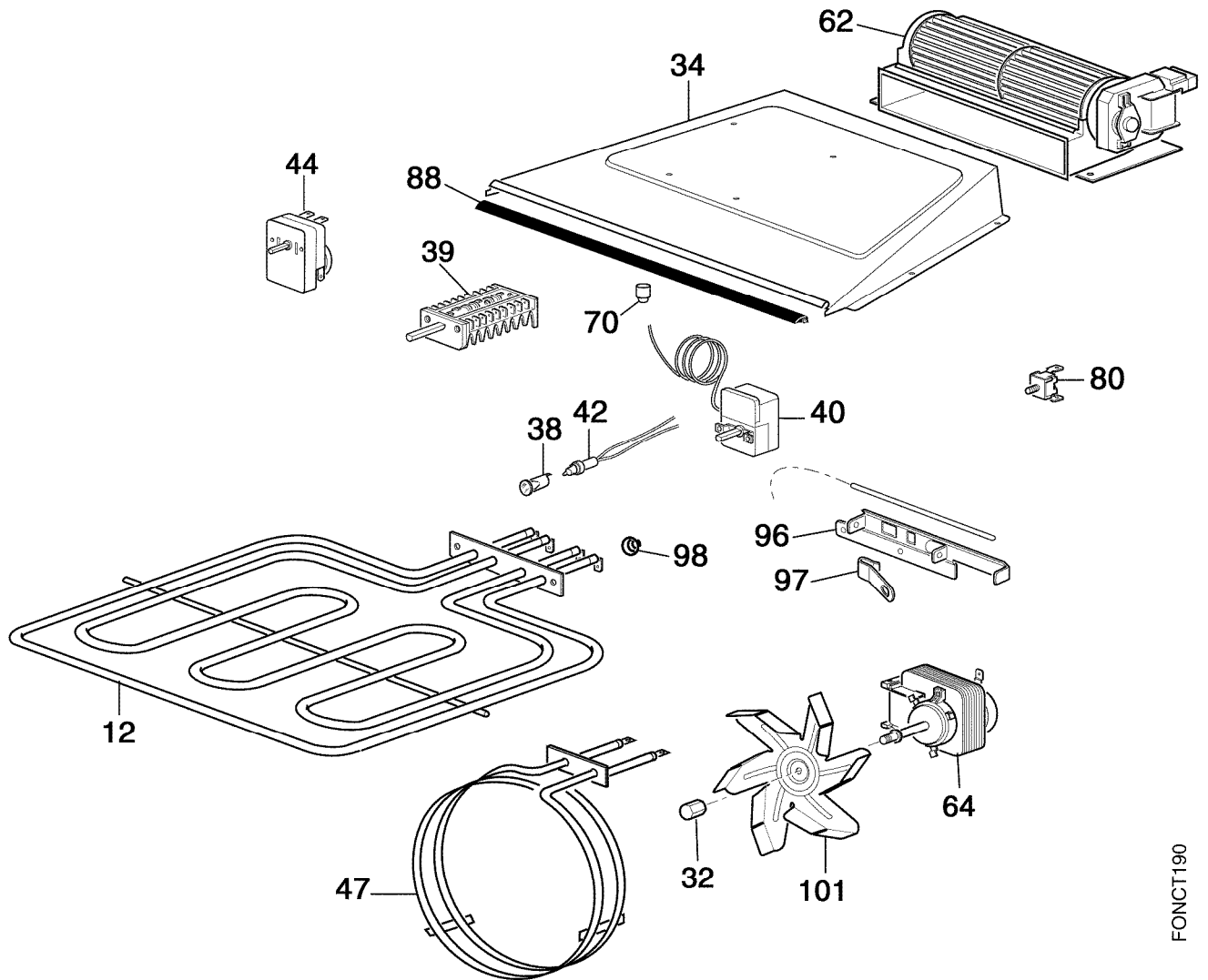


Pos.	Part number	Part description
0	337 15 44-01/0	Instruction for use
2	319 38 74-00/9	Control board decorated, stainless.
3	319 27 66-00/8	Stop
14	315 43 54-31/4	Timer knob, black
28	319 24 29-01/1	Housing, rear
50	319 24 26-01/7	Plate, Bottom
52	319 24 22-01/6	Plate side, left
	319 24 22-02/4	Plate side, right
53	319 24 24-01/2	Plate, upper, front
54	319 24 25-01/9	Plate, upper, rear
57	319 24 30-01/9	Flap door, rear
76	315 43 54-33/0	Thermostat knob, black
99	315 43 54-30/6	selector, knob, black



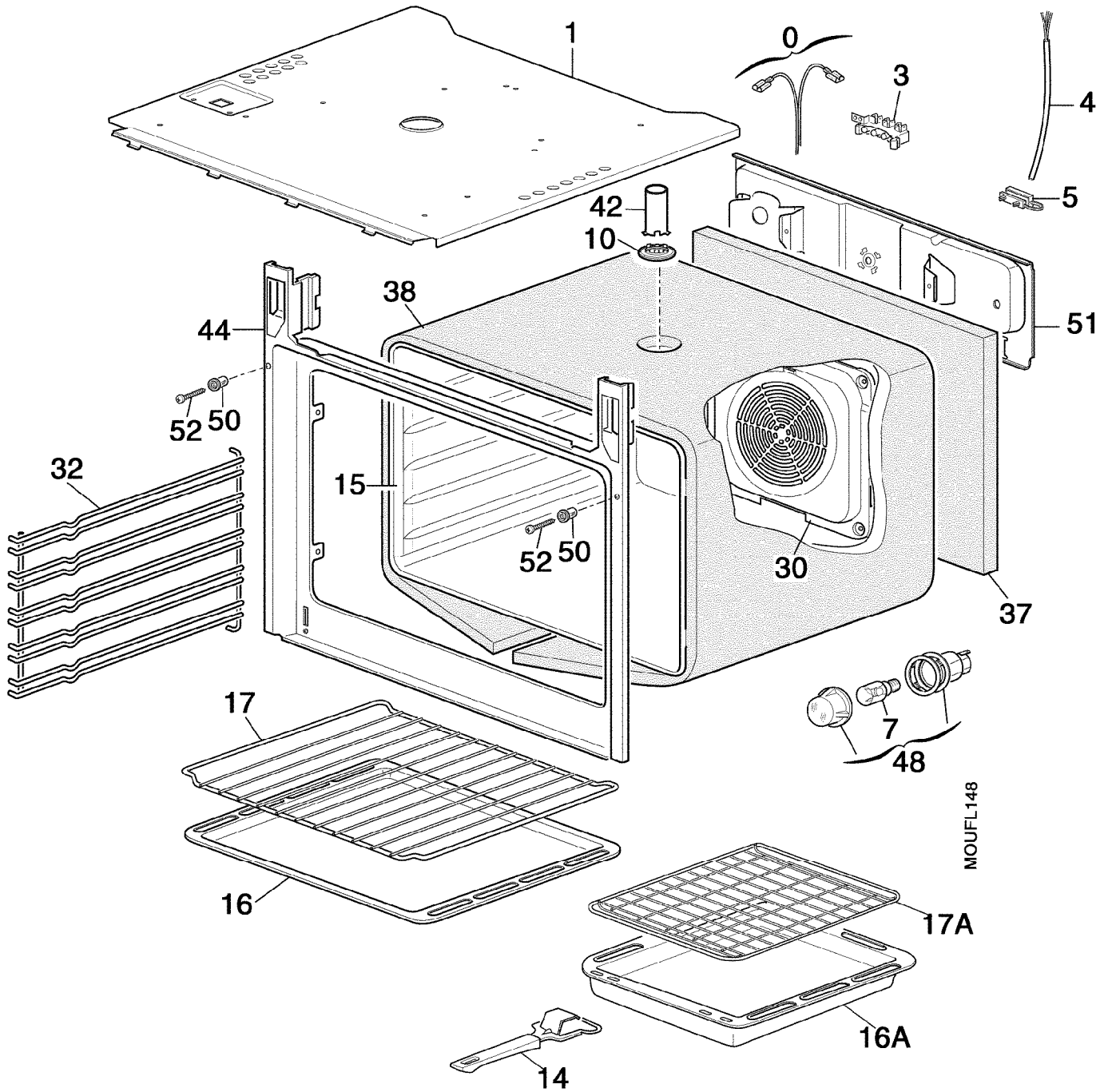
Pos.	Part number	Part description
4	319 30 27-00/4	Handle, stainless.
5	603 30 04-56/2	Inner door+glass
6	319 30 75-00/3	Handle bracket
8	337 07 17-01/3	Profile, horizontal
14	337 07 18-01/1	Profile, right, vertical
15	337 07 18-02/9	Profile, left, vertical
20	319 31 13-00/2	Outer glass., stainless.
36	319 25 58-01/7	Gasket, door
37	337 06 88-01/6	Inner glass
80	5318 63 17-00/3	hinge R+L kit
81	5318 61 96-00/1	Hinge support set R+L

porte 186



FONCT190

Pos.	Part number	Part description
12	319 20 81-01/0	Heating element,up,1900W/1000W,230 V
32	315 32 52-00/6	Nut,M6
34	315 26 30-00/4	Air pipe,ventilation
38	337 09 54-01/2	Lens,red
39	315 42 42-00/6	Commutator,oven
40	305 17 70-01/8	Thermostat,cooker
42	337 09 16-03/7	Signal lamp,wire,lg.500mm,orange
44	337 07 29-01/8	Time switch
47	319 20 85-03/7	Heating element,fan,2400W,230 V
62	603 30 03-64/8	Cooling fan motor
64	337 06 73-01/8	Fan motor,cooker
70	315 32 82-00/3	Stop,rubber
80	319 26 09-04/2	Thermal protector,105°C
88	315 29 11-00/8	Air channel,gasket
96	319 25 57-00/1	Thermostat capillary holder
97	319 26 65-00/2	Clip,bulb
98	670 48 48-99/0	Muffle spring
101	315 26 66-00/8	Fan



Pos.	Part number	Part description
0	605 58 28-02/1	Wiring
1	319 24 23-02/2	Plate,support
3	319 25 53-01/8	Connection plate
4	315 29 27-00/4	Cable,feeding
5	319 26 29-01/6	Anti-strain clip
7	685 26 59-99/1	Lamp,E14,25w,220V
10	315 28 61-00/5	Flange,chimney
14	276 70 50-40/0	Handle,dripping pan
15	603 30 04-64/6	Oven cavity,catalytique
16	337 14 16-01/1	grill pan enameled
16A	271 73 08-81/7	grill pan enameled
17	337 15 27-01/5	Oven grill grid
17A	276 44 09-10/4	Grating,dripping pan
30	315 29 88-01/4	Turbine grid,A C
32	319 20 87-01/7	Step wires,left
	319 20 87-02/5	Step wires,right
37	319 24 91-08/6	Insulation,rear
38	319 32 73-01/2	Oven thermic insulation
42	315 26 37-00/9	Tube,chimney
44	319 26 12-06/1	Front
48	319 25 60-01/3	Lighting,complete
50	319 24 09-01/3	Spacer,plastic
51	319 24 28-01/3	Composants Holder,rear
52	319 24 10-01/1	Screw,Ig.30mm,zincified