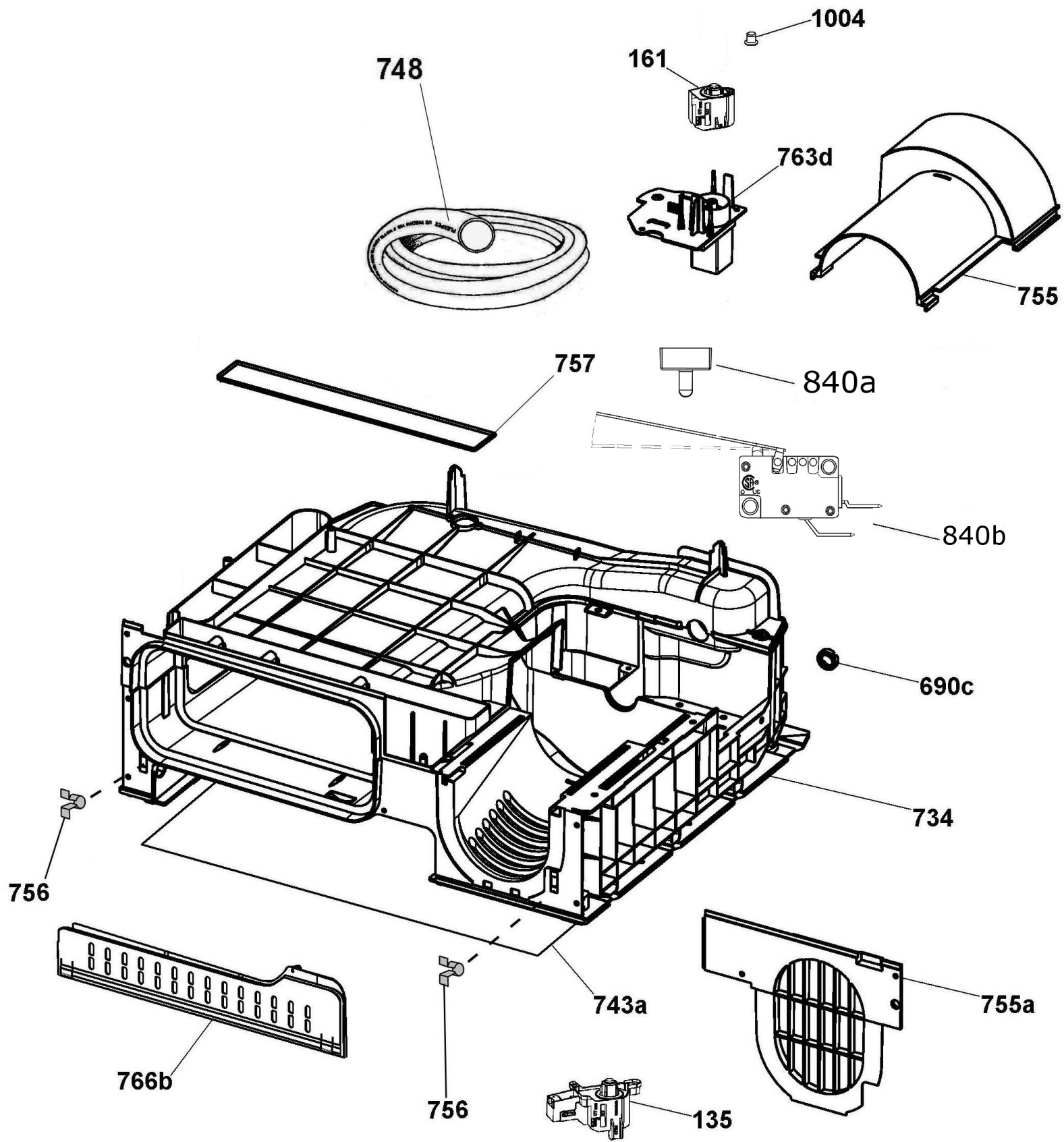
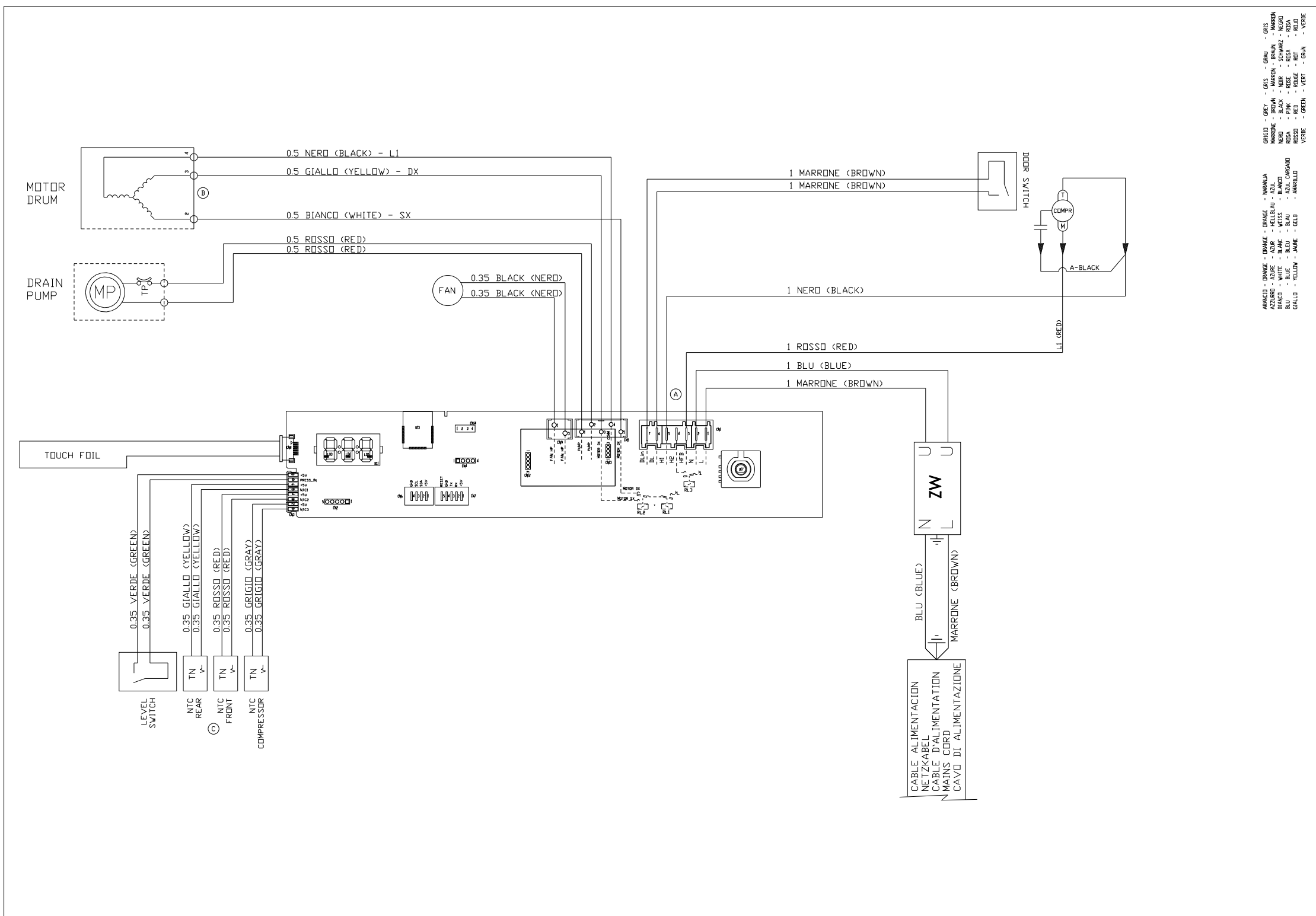


BRUNNEN PUMPEN FÜR DEN HAUSEN



CODICE CODE CODIGO	BENIENAZIONE DESCRIPTION DESCRIPCION	COMPROIIONE REVISION REVISION	SCHEA COLOR COLOR	CABLAGGIO CABLE OF WIRING



- GRIGIO - GRAY - GRAY
- MARRONE - BROWN - BROWN
- NERO - BLACK - BLACK
- ROSSO - RED - RED
- VERDE - GREEN - GREEN
- MARRONE - BROWN - BROWN
- NERO - BLACK - BLACK
- ROSSO - RED - RED
- VERDE - GREEN - GREEN
- BLU - BLUE - BLUE
- BIANCO - WHITE - WHITE
- GIALL0 - YELLOW - YELLOW
- GRIGIO - GRAY - GRAY
- MARRONE - BROWN - BROWN
- NERO - BLACK - BLACK
- ROSSO - RED - RED
- VERDE - GREEN - GREEN

GIAS SERVICE

ASCIUGATORE - DRYER
DESSICATEUR - WASCHE TROCKNER - SECADORA

SCHEMA ELETTRICO
ELECTRICAL DIAGRAMS - SCHEMAS ELETRIQUE
ELEKTRISCHE SCHALTPLANE - ESQUEMA ELECTRICO

CODICE BREVIO-BREVIO CODICE SCHEMA ELETTRICO-ELETRISCHE SCHEMA CODICE BREVIO

41045070

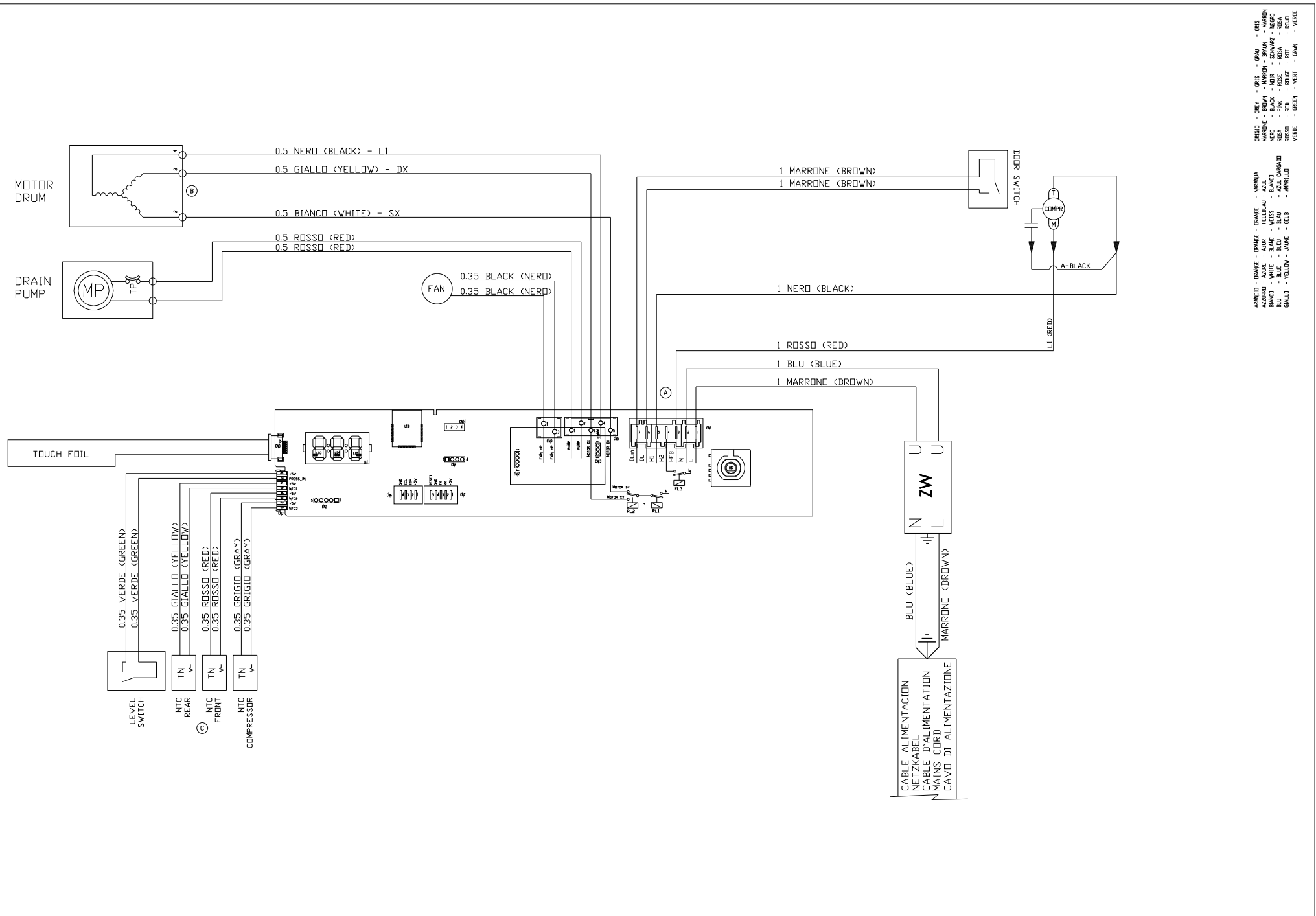
DATA DATE-DATE	INDICE INDEX-INDEX
DATUM - FECHA	NUMERO - NUMERO

RIPRODUZIONE VIETATA - FORBIDDEN REPRODUCTION - REPRODUCTION INTERDITE
NACHDRUCK VERBOTEN - REPRODUCCION PROHIBIDA

CL No	REV.	DATE	MODIFY DESCRIPTION	MODIFIED BY
(E)				
(D)				
(C)	09.02.17		Inverted exit NTC Front with NTC Rear.	S.Rocchi
(B)	06.02.17		Modified motor supply.	S.Rocchi
(A)	10.01.17		Modified compressor supply.	S.Rocchi

	DATE	SIGNATURE	© CANDY GROUP NAME: S.Rocchi FOR: A.Vassalli TD HEAT PUMP SKYLANDER	
	07.12.16	S.Rocchi		
	DATE	CHECKED	ELECTR. DIAGRAM TD COND. HEAT PUMP SKYLANDER (LOCAL LANGUAGE) SCHEMA ELETTRICO TD HEAT PUMP SKYLANDER	
BASE CODE	07.12.16	A.Vassalli	PART CODE:	
TREATMENT	WEIGHT	SCALE	41045070	
	kg	1:1		
MATERIAL	SIZE		REPLACE No.	CLASS SPECIFICATION
	A1		origin	spec

CODICE CODE CODE	DESCRIPTIVE DESCRIPTION DESCRIPTION	CATEGORIA CATEGORY CATEGORIE	SCHEMA SCHEMATA SCHEMAS	CARICHI LOADS CARGHI



- GRIGIO - GREY - GRAU - GRIS
- MARRONE - BROWN - BRAUN - MARON
- NERO - BLACK - SCHWARZ - NOIR
- ROSSO - RED - ROT - ROUGE
- VERDE - GREEN - VEI - VERD
- AVANZO - DRABE - DRABE - DRABE - DRABE
- AZZURRO - BLUE - BLAU - AZUL
- BIANCO - WHITE - WEISS - BLANC
- GIALLO - YELLOW - GELB - JAUNE
- MARRONE - BROWN - BRAUN - MARON
- NERO - BLACK - SCHWARZ - NOIR
- ROSSO - RED - ROT - ROUGE
- VERDE - GREEN - VEI - VERD



ASCIUGATORE - DRYER
 DESSICATEUR - WASCHE-TROCKNER - SECADORA
SCHEMA ELETRICO
 ELECTRICAL DIAGRAMS - SCHEMAS ELECTRIQUES
 ELEKTRISCHE SCHALTPLANE - ESQUEMA ELECTRICO
41045070

ALL RIGHTS RESERVED. THE REPRODUCTION OF ANY PART WITHOUT THE WRITTEN CONSENT IS FORBIDDEN.

CL No	REV	DATE	DESCRIPTION	MODIFIED BY
09	0217	09.02.17	Inverted exit NTC Front with NTC Rear.	S.Rocchi
06	0217	06.02.17	Modified motor supply.	S.Rocchi
01	0117	01.01.17	Modified compressor supply.	S.Rocchi
SPECIFICATION		DATE	SIGNATURE	
		07.12.16	S.Rocchi	
		07.12.16	A.Vassalli	
DATE			SIGNATURE	
07.12.16			S.Rocchi	
07.12.16			A.Vassalli	
<div style="text-align: center;">© CANDY GROUP</div> NAME: ELECTR. DIAGRAM TD COND. HEAT PUMP SKYLANDER (LOCAL LANGUAGE): SCHEMA ELETRICO TD HEAT PUMP SKYLANDER FOR: TD HEAT PUMP SKYLANDER PART CODE: 41045070				
WEIGHT	SCALE			
kg	1:1			
MATERIAL		REPLACE No	CL No	CLASS SPECIFICATION
A1		origin		spec