

**1. Wiring and Cable Schematics:**

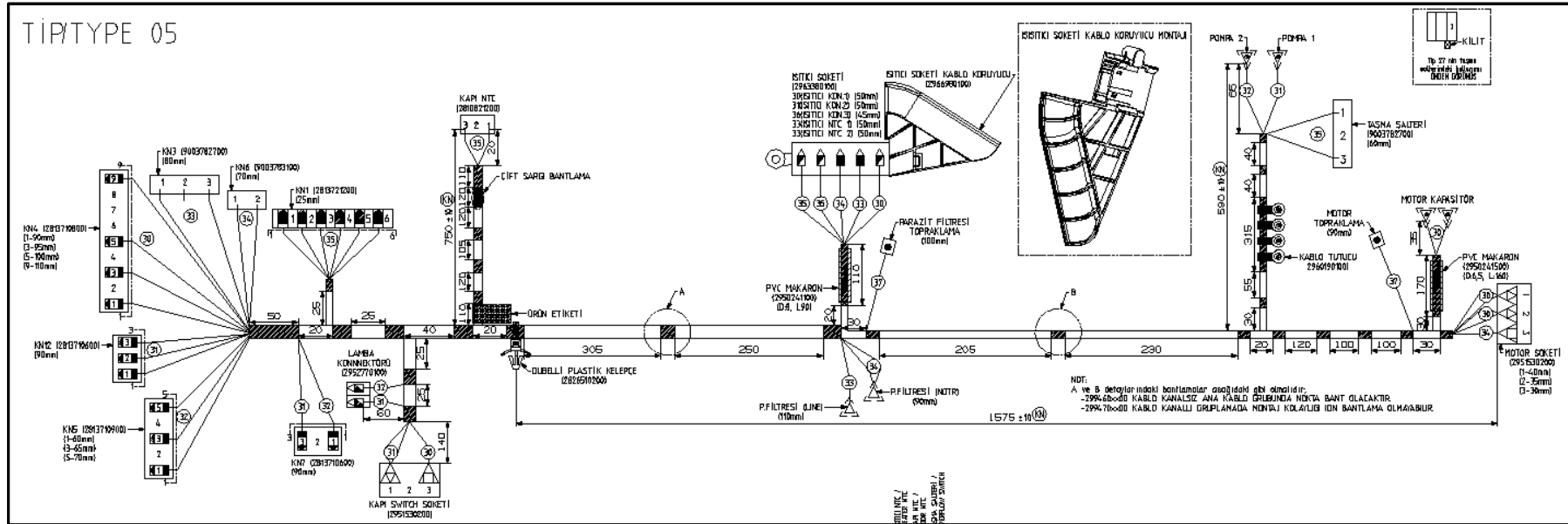


Figure 11-1: Cable Schematics (2994600500) – Beko 2013 Good+ CNDU Models Reversible Glass Door 60 cm

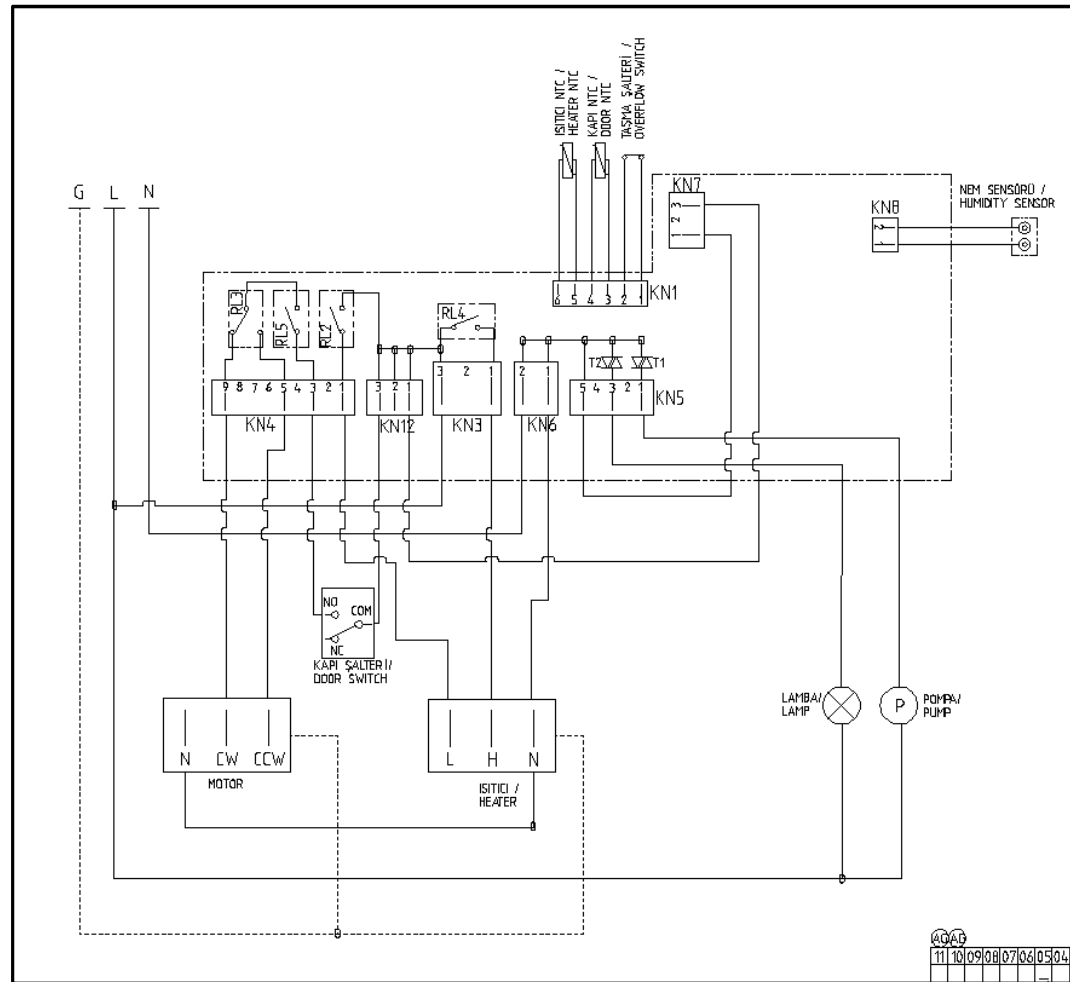


Figure 11-2: Wiring Schematics (2994600500) – Beko 2013 Good+ CNDU Models Reversible Glass Door 60 cm

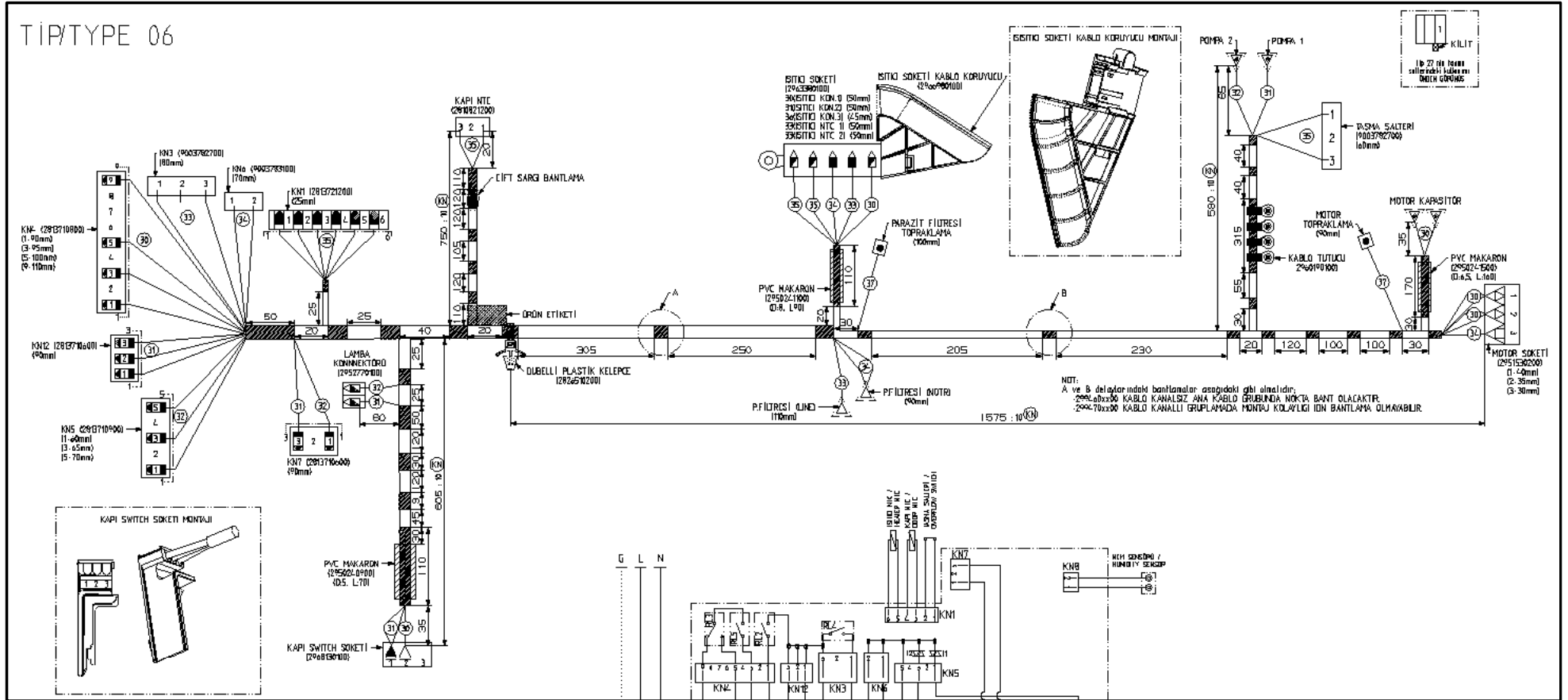


Figure 11-3: Cable Schematics (299460060) – Beko 2013 Good+ CNDU Models Opaque Door 60 cm

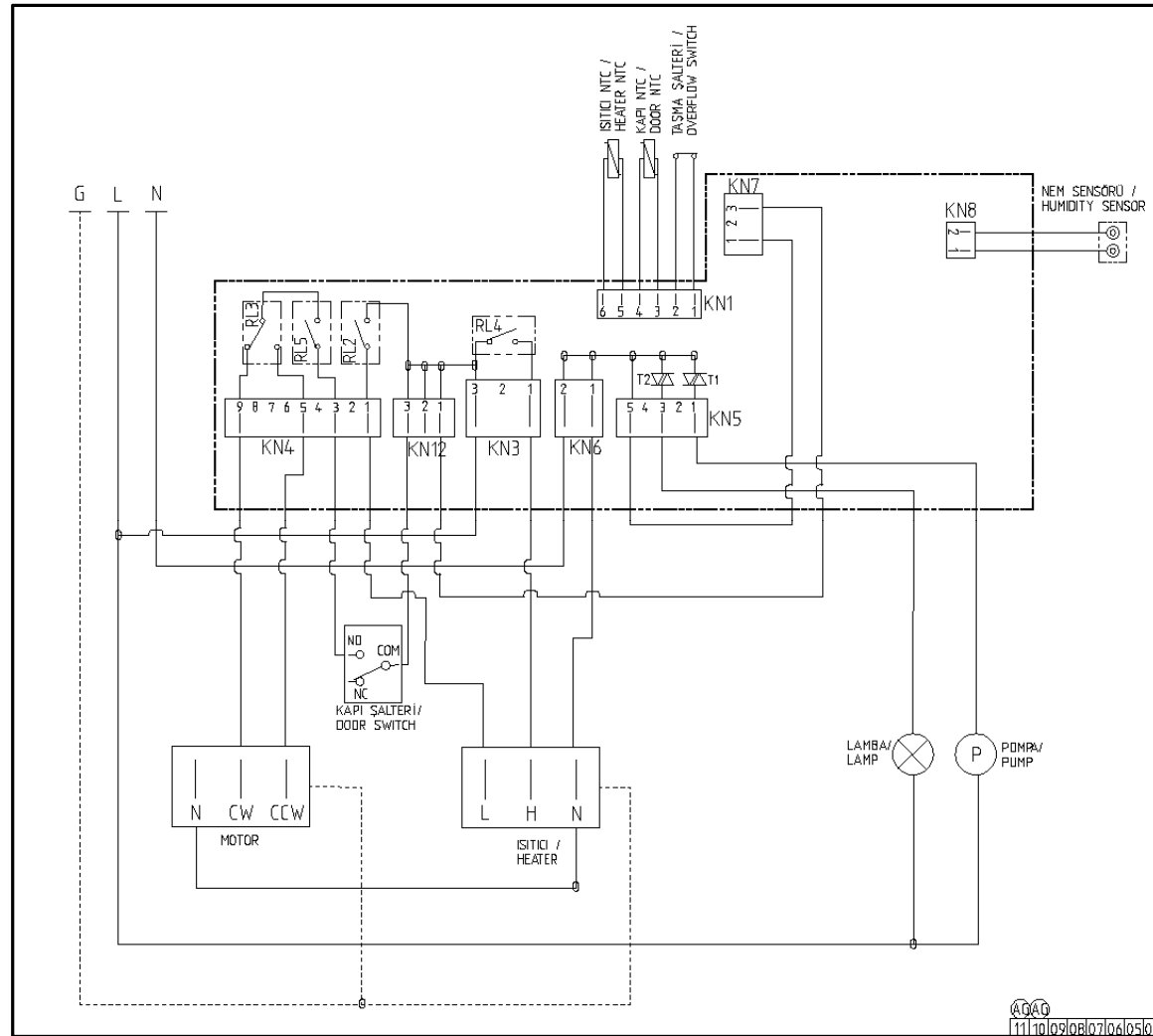


Figure 11-4: Wiring Schematics (2994600600) – Beko 2013 Good+ CNDU Models Opaque Door 60 cm

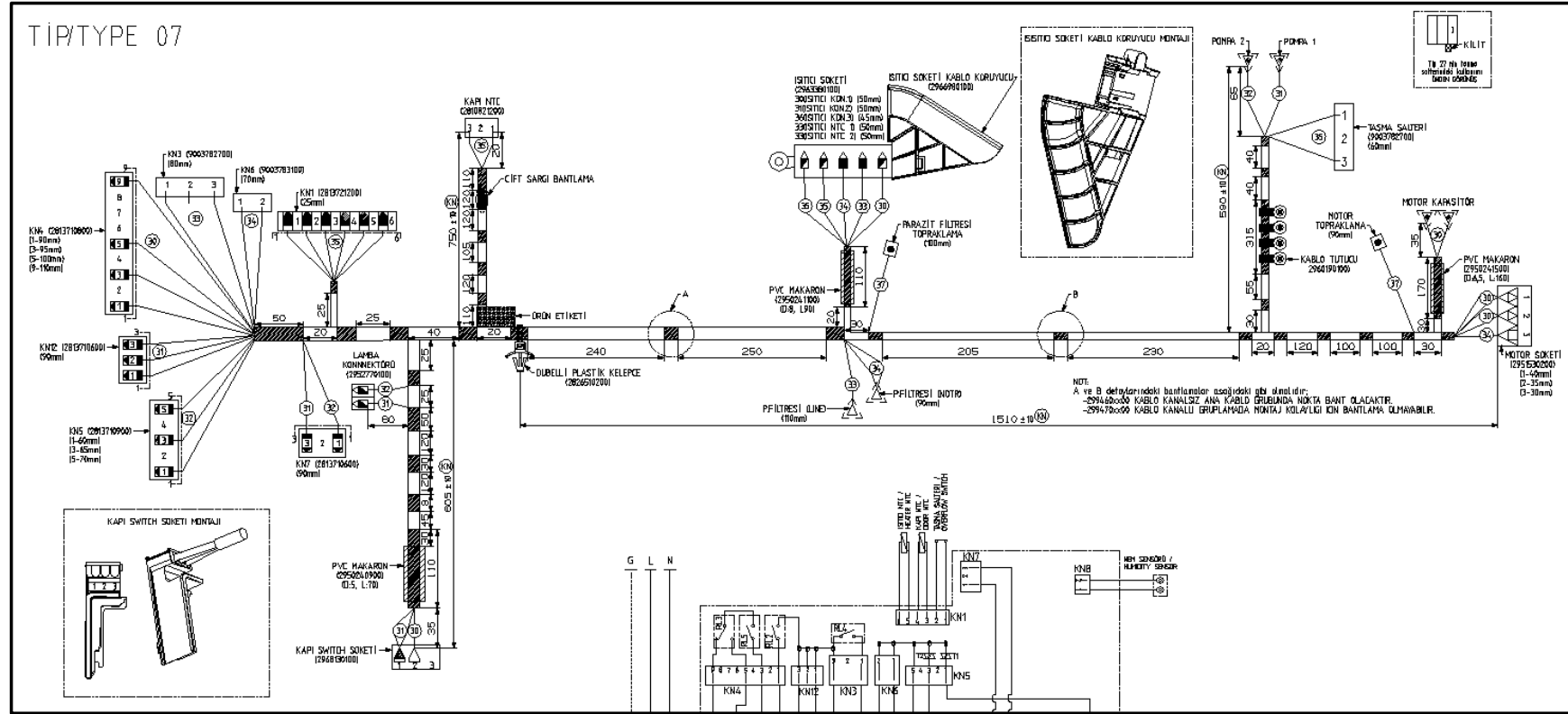


Figure 11-5: Cable Schematics (2994600700) – Beko 2013 Good+ CNDU Models Opaque Door 54 cm

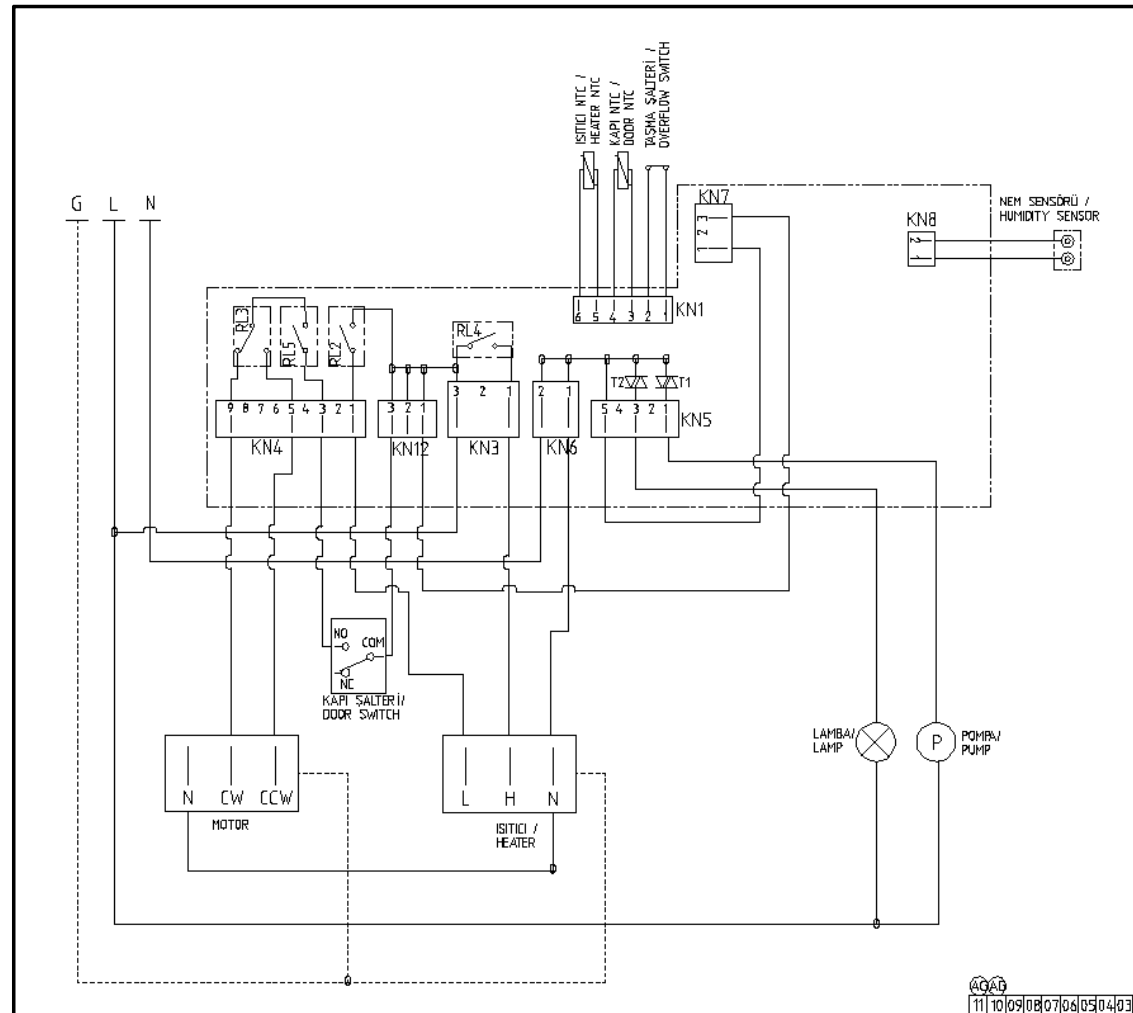


Figure 11-6: Wiring Schematics (2994600700) – Beko 2013 Good+ CNDU Models Opaque Door 54 cm

